

# 118HSB<sup>™</sup>

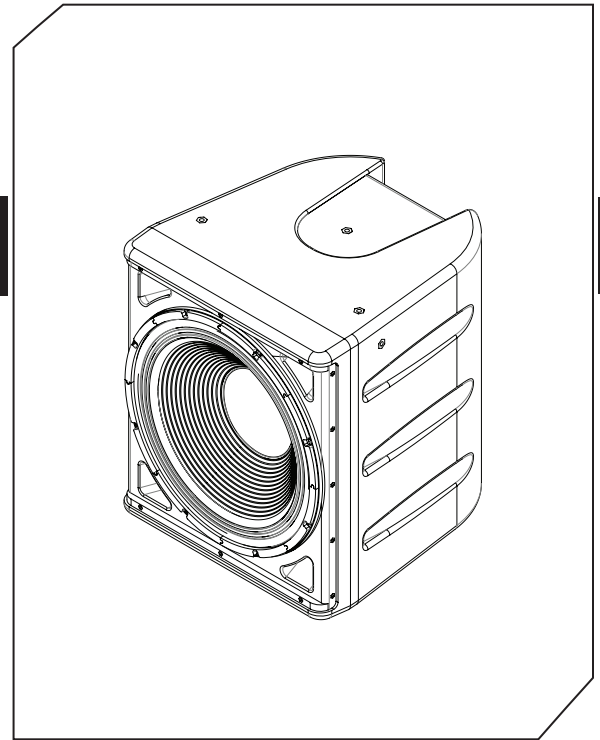
## DIRECT WEATHER SUBWOOFER

### APPLICATIONS:

The 118/HSB is an all-weather loudspeaker made of a lightweight copolymer. The 118/HSB may be used in direct weather outdoor installations, as well as indoor applications where extended low frequency response is required. The 118/HSB is a compact design that features a One Systems 18I/O 18-inch (457mm) extended bass transducer. The 118/HSB is available in both black and white color options.

The 118/HSB is optimized for outdoor applications such as theme parks, parade routes, football and baseball stadiums, as well as other entertainment and sports venues where permanent installation and extended low frequency response are required. The high acoustic output to size ratio makes the system ideal for pole mounted and wall mounted applications. The 118/HSB is also well suited for outdoor general public address applications. The system is equally suited for general purpose indoor applications in multipurpose rooms, indoor sports venues, and vocal intensive applications.

The 118/HSB utilizes 316-grade stainless steel (marine-grade) for all structural and rigging points. All associated One Systems rigging accessories are also 316-grade stainless steel. All metal components that are not structural feature a newly developed marine-grade powder coat over 304-grade stainless steel. This allows the 118/HSB to be used in oceanfront and cruise ship applications, as well as in general direct weather installations.



### FEATURES & BENEFITS

- » Direct weather 18" subwoofer system
- » Rotationally molded high-impact enclosure design
- » Optimized for extended low frequency response
- » Very high output to size ratio
- » Available in both Black and White color
- » Multiple M10 flying points
- » Available Pan and Tilt, Pole Mount, "U" bracket, and eyebolt rigging
- » Gland nut inputs (weather cover for gland nut installations)
- » Marine capable design utilizing 316-grade stainless steel insertion points and hardware options
- » Designed to IP45 standards

### SPECIFICATIONS

<b>Frequency Response:</b>	40Hz - 120Hz	<b>Low Frequency:</b>	One Systems 18I/O woofer
<b>Coverage Pattern:</b>	Nearly Omnidirectional	<b>Suspension/Mounting points:</b>	M10
<b>Inputs:</b>	5-position barrier	<b>Weather Performance:</b>	IEC 529 IP 45
<b>System Sensitivity (1 Watt / 1 Meter):</b>	98dB (half space) 95dB (full space)	<b>Dimensions (H x W x D) in:</b>	584mm x 510mm x 525.3mm (23.0in x 20.1in x 20.7in)
<b>Power Handling:</b>	800 watts continuous 1600 watts program 3200 watts peak*	<b>Net Weight:</b>	33 kg / 73 lb
		<b>Optional Accessories:</b>	118/HSB-U/M U-bracket kit PT/76/M Pan and Tilt PM4/M pole mount system

\* NOTE: All system power handling rating are amplifier headroom dependent

**Nominal Impedance:** 8-ohms



# 118HSB<sup>TM</sup>

## DIRECT WEATHER SUBWOOFER

The grille is a 3-layer "rain shield" design that will minimize direct rain contact with the system's transducers.

The input section consists of a 5-pin barrier strip. A weather cover is provided with an integral gland nut connector for outdoor applications. The gland nut is weather proof and is rated NEMA 6P (IP 68). The connector will accommodate cable outside diameters from 7mm to 12mm (0.236" to 0.472"). The maximum diameter will accommodate most 2 conductor AWG 12 cable assemblies.

Because the One Systems 118/HSB is designed for permanent installation applications, a variety of rigging and suspension options are available. The 118/HSB has multiple M10 mounting points.

The 118/HSB may be mounted in selected installations (when permitted by local codes and appropriate substrates) using either a One Systems pan and tilt bracket (PT76/M) or the PM4/M pole mount system. The PT76/M is used when flat surface mounting is specified. The 118/HSB-U/M U-bracket may also be used.

# 118HSB<sup>™</sup>

DIRECT WEATHER SUBWOOFER

