

# OPA-28NP

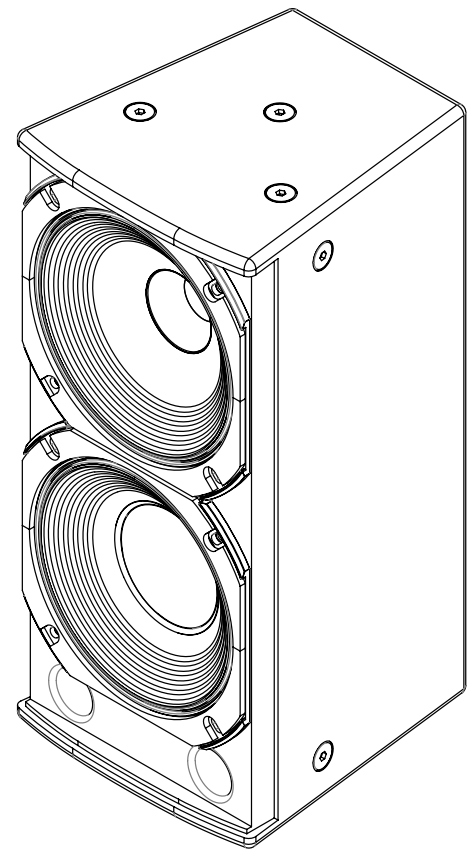
On Point Audio's OPA-28NP is an innovative dual 8-inch two-way vertical array system with pristine sound quality and prodigious output capability that totally belies its small size. Thanks to its high output capability, ultra-small footprint and incredible mounting flexibility, the OPA-28NP can be used for under-balcony, wall or column mounting for fixed installations, or as a stage monitor, front-of-house system, stage front or side-fill for live sound.

The OPA-28NP's unique Narrow-Profile™ drivers combine 8-inch cones with rolling surrounds and rectangular frames that enables them to be miniaturized to only 6.8 inches / 172.72 mm diameter. The system features a powerful 1.35-inch pure titanium compression driver that's mounted on the same chassis as its top woofer. Its 80-degree conical coverage pattern enables to be placed horizontally or vertically with identical dispersion characteristics. The system's coaxial design ensures low time-domain distortion and zero horn coloration.

The OPA-28NP's multi-layer rigidly braced birch plywood enclosure to ensure that the pristine sound of its drivers is unmarred by resonances. The enclosure has 14 x M8 suspension points to make it easy to hang the speaker horizontally or vertically using optional eyebolts, a pivoting U-Bracket or other suspension accessories. The enclosure is coated in On Point Audio's rugged wear resistant PowerCoat™ finish to stay looking good.

The OPA-28NP features 2 x Neutrik Speakon plus a steel barrier strip so that the speaker can be used for either fixed installations or mobile applications.

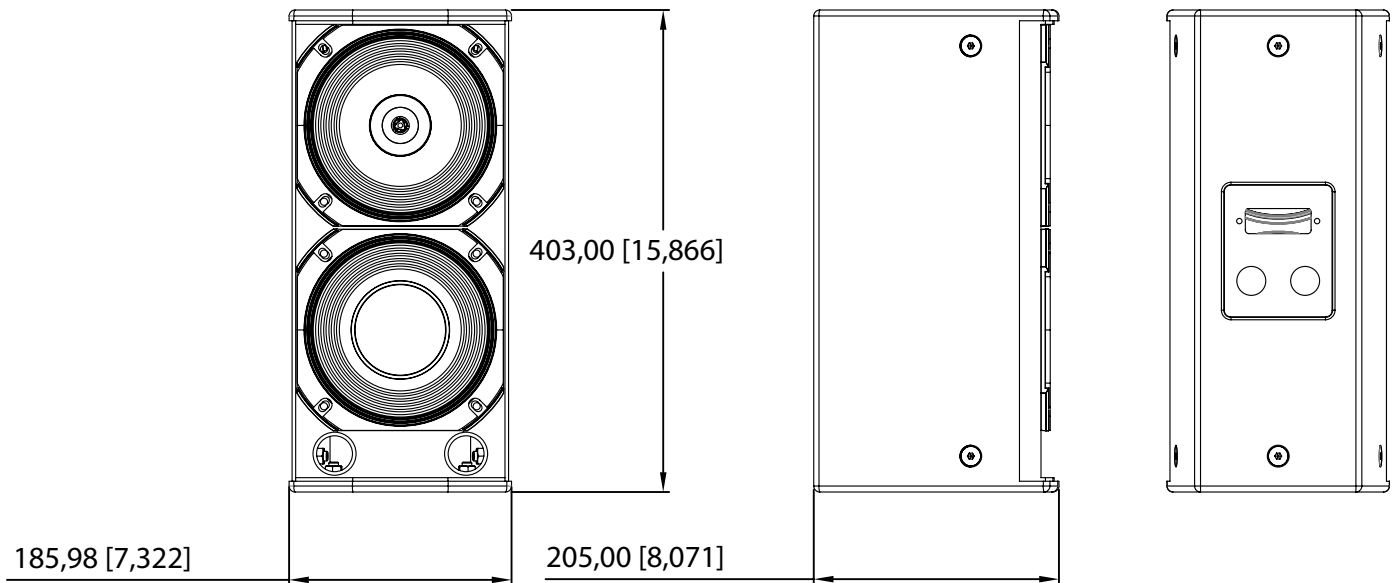
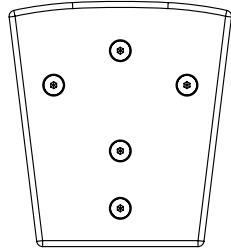
With its impeccable sound, modern slim styling, tremendous use flexibility and one of the industry's highest output capabilities per unit of enclosure volume; the OPA-28NP is a unique problem-solving solution for many professional audio applications.



## FEATURES

- » Dual 8-inch two-way vertical array system in trapezoidal enclosure
- » 400 watts continuous, 1,600 watts peak power handling
- » 127 dB / 121 dB max SPL capability (peak / continuous)
- » Narrow-Profile™ 8-inch drivers are only 6.8 inches wide
- » Small, thin silhouette – only 7.3 in / 185.42 mm wide
- » Powerful coaxially-mounted 1.35-inch titanium compression driver delivers 80-degree conical coverage
- » Rock-solid 12-mm multi-layer marine-grade birch plywood enclosure is equipped with 14 x M8 suspension points and covered in wear-resistant PowerCoat™ finish
- » Equipped with 2 x Neutrik Speakon connectors and a steel barrier strip for use in mobile or fixed installation applications

# OPA-28NP



## SPECIFICATIONS

**System Type:** Dual 8 inch two-way coaxial with very narrow profile enclosure

**Frequency Range (-10 dB):** 80 Hz – 20,000 Hz

**Frequency Response (-3 dB):** 85 Hz – 20,000 Hz

**Power Rating (Peak / Continuous):** 1,600 Watts / 400 Watts

**Coverage Pattern (Conical):** 80 Degrees

**Nominal Impedance:** 4 Ohms

**Full Space System Sensitivity:** 95 dB

**Rated Max SPL (Peak / Continuous):** 127 dB / 124 dB

**Recommended High-Pass Filtering:** 85 Hz, Q = 1.5

**LF Driver:** NP8F-2 8-inch Narrow-Profile woofer

**Coaxial Transducer:** NP8-CXFF 8-inch coax with 1.35-inch titanium compression driver

**Enclosure Material:** 12-mm marine-grade birch plywood with PowerCoat™ finish

**Suspension Points:** 14 x M8

**Optional Suspension Accessories:** Eye Bolt Kit-8W; OPA-28-NP-U

**Dimensions (H x W x D) mm:** 467.36 x 185.42 x 205.74 mm

**Dimensions (H x W x D) inches:** 18.4 x 7.3 x 8.1 in

**Net Weight:** 9.2 kg / 20.3 lb