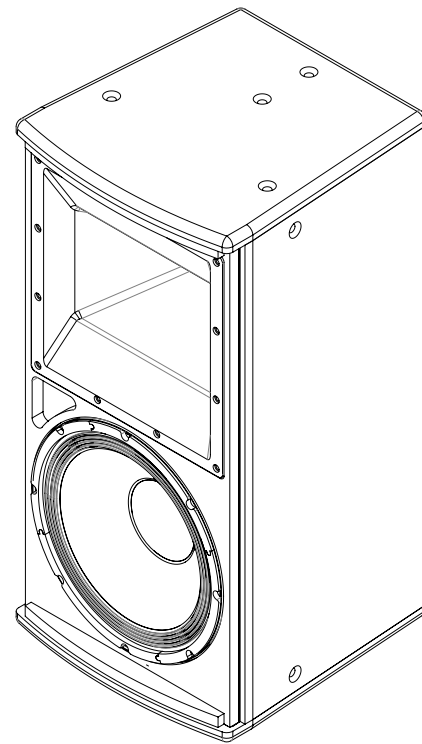


OPA-12

The On Point Audio OPA-12 is a high-performance 12-inch (305mm) two-way loudspeaker system. The OPA-12 has been designed to provide superior intelligibility and fidelity for indoor permanent installations. The OPA-12 features a fully rotatable high-frequency horn design. Two horn patterns are available. The OPA-12 is supplied with a 60x40 degree pattern and an optional 90x40 degree included angle pattern is also available. The OPA-12 was designed to provide excellent full-range fidelity, but also superior vocal reproduction and intelligibility too. The system consists of a single 12" woofer and constant directivity high-frequency horn. The high-frequency driver is a large format pure titanium design. The OPA-12 is an ideal design for fixed installations where excellent bandwidth and controlled time domain response are specified. The system design allows for superior intelligibility and articulation.

The OPA-12 system offers a complete selection of array and flying/suspension hardware. The enclosure offers multiple M10 rigging points and may be flown using forged shoulder eyebolts, a U-bracket, or the On Point Audio OPA-PTB pan and tilt bracket.

The OPA-12 enclosure is a high quality plywood construction and features On Point Audio's Power Coat polyurea finish. The input section consists of a 4-pin barrier strip. The low-frequency section consists of a 12-inch (305mm) high-performance, ferrite based woofer. The high-frequency compression driver is a large format pure titanium device that is coupled to a fully rotatable high frequency horn.



FEATURES

- » High-Output/High-Intelligibility two-way system
- » Optimized for high-intelligibility and vocal articulation
- » Fully rotatable and interchangeable high-frequency horns. (60x40 and 90x40)
- » Large Format titanium compression driver
- » Multiple M10 fly points
- » Available Pan and Tilt bracket and U-bracket

SPECIFICATIONS

Frequency Response:	65Hz – 16kHz	Nominal Impedance:	8 ohms
Coverage Pattern:	60 x 40 Rotatable 90x40 Rotatable (optional)	System Components:	FW-120 12" ferrite woofer TD-325 large format titanium driver CD-60/40 Horn
Passive Crossover Frequency:	1600Hz (60x40 horn) 1400Hz (90x40 horn)	Suspension/Mounting points:	M10
Inputs:	4-position barrier	Dimensions (H x W x D):	722mm x 355mm x 376mm (28.4 in x 14 in x 14.8 in)
System Sensitivity (1watt-1meter):	95dB	Net Weight:	30 kg (66 lb)
Power Handling:	600 watts Continuous 1200 watts Program 2400 watts Peak*	Optional Accessories	OPA-12-U U-bracket kit Eye Bolt Kit (4 - M10 steel eye bolts) OPA-PTB pan and tilt bracket CD-90/40 Horn
* NOTE: all system power handling ratings are amplifier headroom dependent			

OPA-12

