

115TW

15" TWO-WAY HIGH OUTPUT SOUND REINFORCEMENT SYSTEM

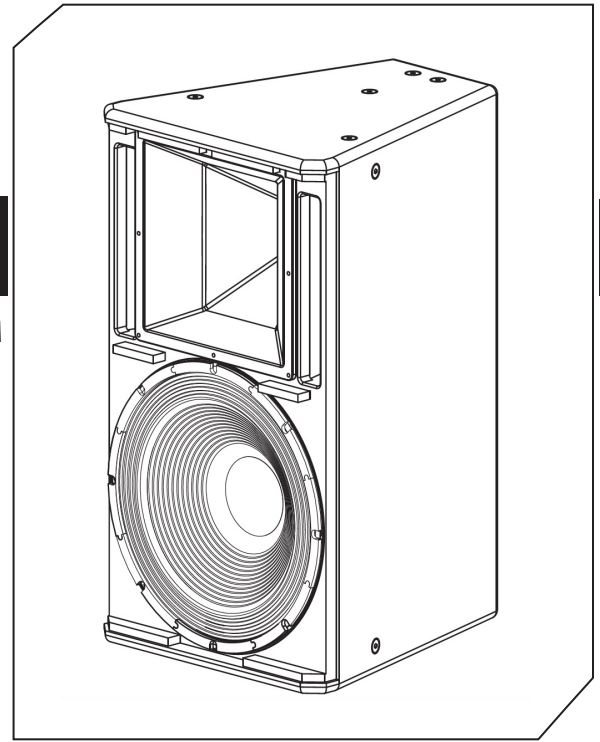
The 115TW™ is a 15" two way high output sound reinforcement system. The 115TW may be used in outdoor installations, as well as indoor applications where high intelligibility and accuracy are required. Like all ONE SYSTEMS[®] products, the 115TW was designed to not only offer excellent full range fidelity, but superior vocal reproduction and intelligibility as well. The system consists of a single 15 inch 15I/O woofer and an ET-1 driver on a fully rotatable high frequency horn.

The ONE SYSTEMS 115TW features an 18mm birch plywood enclosure that utilizes stainless steel internal structural supports to enable a variety of suspension points. The trapezoidal enclosure geometry allows close pack array configurations and the available suspension accessories make the 115TW a very versatile installation based loudspeaker system.

The grill is a 3 layer "rain shield" design that will minimize direct rain contact with the systems transducers. All internal and external metal hardware, as well as the grill, are stainless steel.

The input section consists of a stainless steel hardware barrier strip. A weather cover is provided with an integral gland nut connector for outdoor applications.

The gland nut is weather proof and is rated NEMA 6P (IP68). The connector will accommodate cable outside diameters from 7mm to 12mm (0.236" to 0.472"). The maximum diameter will accommodate most 2 conductor AWG 12 cable assemblies.



FEATURES & BENEFITS

- » Weather Resistant 15 inch two way system.
- » Trapezoidal Enclosure Geometry
- » Optimized for high intelligibility and vocal articulation.
- » ET Fully rotatable and interchangeable high frequency horns.
- » Patented large format titanium/neodymium compression driver.
- » Patented large voice coil low frequency transducer.
- » Multiple stainless steel M10 fly points.
- » Available stainless steel "U" bracket.
- » Gland Nut and Barrier Strip inputs (Weather cover for all installations).

SPECIFICATIONS

Frequency Response:	55Hz – 16kHz	Nominal Impedance:	8 ohms
Coverage Pattern:	105H x 60V (ET105/60) 60H x 40V (ET60/40)	Low Frequency:	ONE SYSTEMS 15 I/O V2 Woofer
Passive Crossover Frequency:	1300 Hz (ET105/60) 1800 Hz (ET60/40)	High Frequency:	ONE SYSTEMS ET-1 Compression Driver
Input:	4 position barrier or	System Tunings (Bi-amp mode):	www.ONESYSTEMS.com
System Sensitivity: (1watt-1meter)	96dB	EASE 4.0 data:	www.ONESYSTEMS.com
Power Handling:	800 watts Continuous 1600 watts Program 3200 watts Peak*	Suspension/Mounting points:	M10 Inserts
		Weather Performance:	IEC 529 IP 45 Mil Spec 810
		Dimensions (H x W x D):	793.4mm x 444.5mm x 489mm (31.24 in x 17.5 in x 19.25 in)

* NOTE: All power handling ratings are amplifier headroom dependent

115TW

15" TWO-WAY HIGH OUTPUT SOUND REINFORCEMENT SYSTEM

SPECIFICATIONS (continued)

Net Weight:	33.2 kg (73.2 lb)
Optional Accessories:	115TW-U "U" bracket kit M10 Forged Shoulder Eye Bolt
Additional Accessories:	118/HSB subwoofer

The basic design utilizes a patented high frequency driver that will accommodate a variety of high frequency radiation patterns. There are two fully rotatable high frequency horns available. Both horns are ET designs that offer extended bandwidth polar control and very low distortion. The ET-105/60 is a 105 degree horizontal by 60 degree vertical pattern and may be rotated to also provide a 60 degree horizontal by 105 degree vertical for short throw and downfill applications. The second horn, the ET-60/40 is designed for medium to long throw applications. It offers a 60 degree horizontal by 40 degree vertical radiation pattern and is also fully rotatable. Although the 115TW is shipped with the ET-60/40 horn installed the ET-105/60 is available at no extra cost when requested at time of order. A simple internal jumper optimizes the crossover for either high frequency horn. (For details related to changing high frequency horns see the "HOW TO" section in the ONE SYSTEMS web site, www.ONESYSTEMS.com)

The patented ET-1 driver (full details are available at the ONE SYSTEMS web site, www.ONESYSTEMS.com) is a unique "equivalent throat" design that allows the radiation pattern to be controlled by the phase plug summation plane rather than the conventional "exit diameter" at the end of the driver structure. This feature provides extended high frequency dispersion. The ET driver has a large format titanium diaphragm and a close spaced circumferential ring phase plug to insure extended high frequency bandwidth.

The low frequency design is also patented. The 15 inch 15I/O woofer (Inside Only) utilizes a unique voice coil wind on the inside of the voice coil support structure. This design allows for both high magnetic system displacement, as well as increased thermal transfer. This results in reduced power compression and higher reliability.

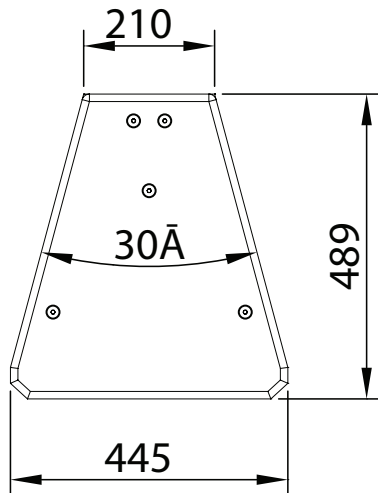
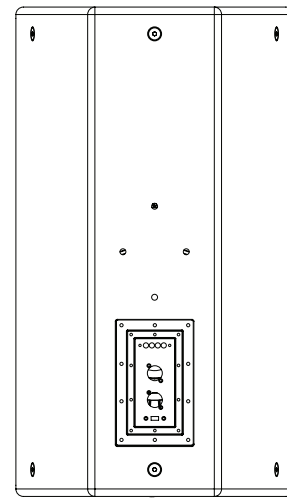
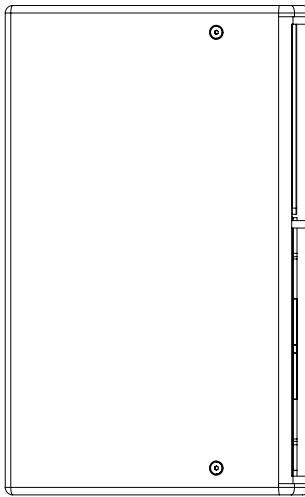
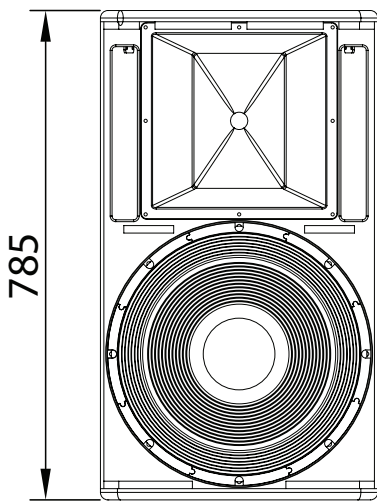
Because the ONE SYSTEMS 115TW is designed for permanent installation applications, a variety of rigging and suspension options are available. The 115TW has multiple M10 mounting points.

An M10 forged shoulder eye bolt kit is available for all M10 suspension points.

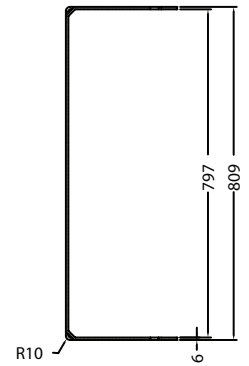
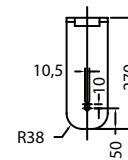
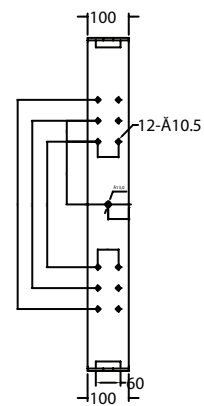
The 115TW may be suspended as a single unit using the ONE SYSTEMS 115TW-U bracket in either a vertical or horizontal configuration.

115TW[™]

DIRECT WEATHER SUBWOOFER



115TW-U



115TW