



March 6, 2017

## TRIPOD POLE MOUNTING 108IM, 108/HTH, 208CIM, 208/HTC, and 108/HTC

One Systems offers three versatile 8-inch two-way direct weather loudspeaker systems. The 108/HTH is an 8-inch two-way design that features the One Systems patented ETS driver and two versions of the ETS high frequency rotateable horn. The 208/HTC is a dual 8-inch design in a two-element vertical array, designed to provide high output and improved vertical coverage through the vocal fundamental range. The 108/HTC system utilizes the 8-inch two-way coax component from the 208/HTC in a smaller cabinet.

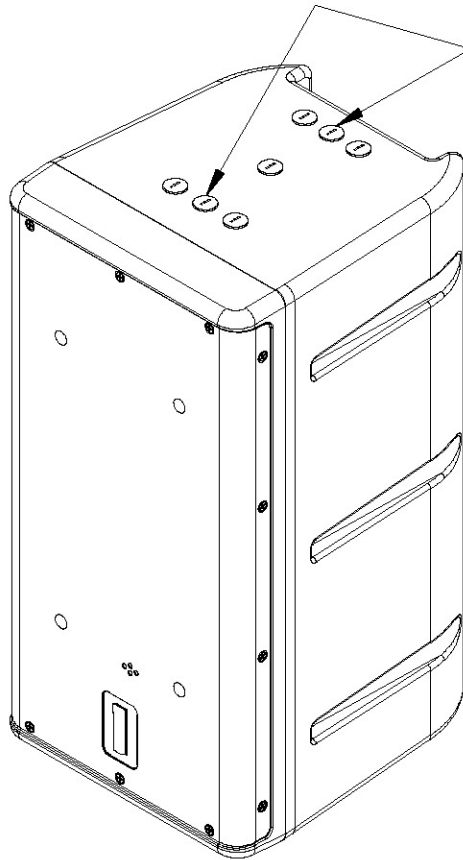
These three models are capable of being tripod pole mounted. Tripod pole mounting these systems will allow excellent intelligibility and coverage for both temporary and permanently installed outdoor applications, even in inclement weather situations. Of course, because One Systems products offer excellent broad band intelligibility, the enclosures are ideally suited for indoor applications as well.

One Systems recommends the Ultimate Support™ model BMB-200K pole mounting bracket. Alternative pole mounting brackets should NOT be substituted and ONLY the BMB-200K is approved for telescope pole mounting the 108/HTH, 208/HTC & 108/HTC.

The BMB-200K may be mounted to either the bottom or top of the enclosure using two M8 (1.25 pitch) stainless steel machine screws. The length should be 30mm. Stainless steel is required for outdoor installation and is recommended for strength. Lock washers or temporary thread locker is required for safe operation.

Note: All associated rigging is the responsibility of the installer or facility users and is not the responsibility of One Systems, Inc. Please observe all local and national codes, as well as safe mounting practices for overhead mounting.

Figure 1 below represents the two M8 locations for mounting the BMB-200K. The BMB-200K should be mounted as far forward, toward the front of the enclosure, as possible.



Mounting points for Ultimate Support BMB-200K with the 108/HTH, 208/HTC & 108HTC speakers, as well as the prior generation speakers.

Figure 1  
Pole mount bracket locations