

SB-82

The On Point Audio SB-82 is a bracket designed to be used exclusively with the On Point Audio OPALine-82 column loudspeaker system. The SB-82 allows one or two (when used with the TBEC coupling bracket) OPALine enclosures to be suspended for a ceiling or other overhead structure.

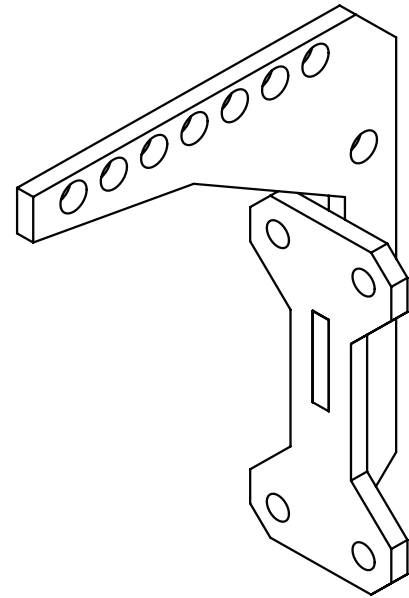
Two of the SB-82 brackets may be mounted on a single OPALine-82, or on the top most enclosure and lower enclosure if a two element array is used. The top SB-82 may be used for suspension and the lower SB-82 is used for pullback of the enclosure or enclosure array.

The SB-82 provides multiple connection points to standard M6 shackles.

The SB-82 is coated in a durable black or white conformal coating and offers a very high safety factor for the enclosure to bracket mount. The SB-82 is for indoor use only!

For full installation instructions please see SB-82 installation manual. This document may be found on the On Point Audio web site at:

<http://www.onpointaudio.com>



OPA-PTB

