

PT76/M

PAN & TILT BRACKET

The ONE SYSTEMS PT76/M is a pan and tilt bracket designed for use with a variety of ONE SYSTEMS sound reinforcement enclosures.

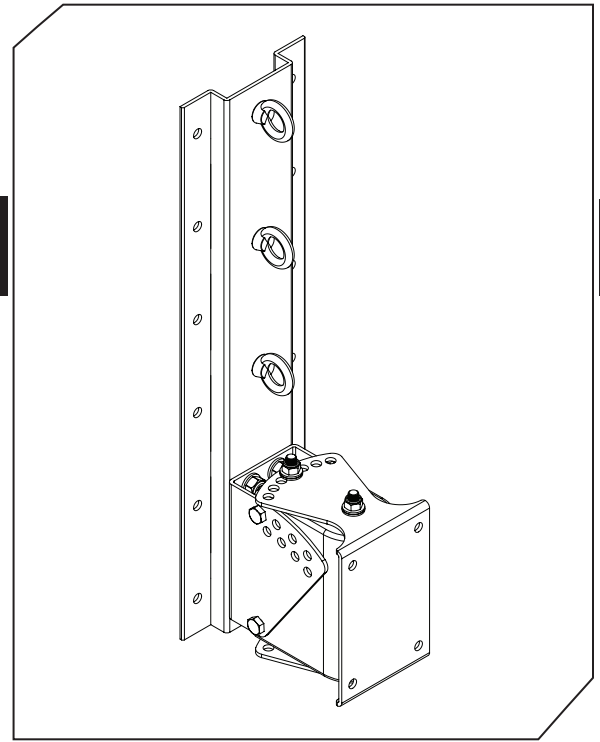
All components of the PT76/M are constructed of high quality 316-grade stainless steel and are suitable for outdoor permanent installation in ocean front and cruise ship environments and for general inland direct weather installations.

The ONE SYSTEMS PT76/M provides a "tilt" angle range from vertical (0 degrees) to a maximum down tilt of 35 degrees. The tilt angle is adjustable in 5 degree increments. The "pan" angle varies from on axis to 40 degrees either side of the longitudinal axis in 13.3 degree increments.

The PT76/M is designed for use with the 112HTH, 212HC, 312HC, 118HSB, and CFA-2HTH enclosures. The PT76/M is designed for flat surface mounting only. If pole mounting is required, the PM4/M should be used. No substitutions are permitted.

It is necessary that the installation and application of all suspended products conform to local and national codes. Installation of the PT76/M should only be attempted by an experienced professional that is familiar with local and national codes and safe suspension practices. ONE SYSTEMS also requires that the document "Rigging and Suspension of ONE SYSTEMS Products" be read and completely understood. This document is available at <http://www.onesystems.com>

The weight of the PT-76M is 10.5 kg (23.1 lb.).

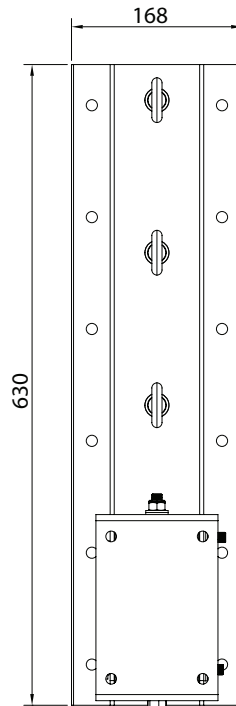
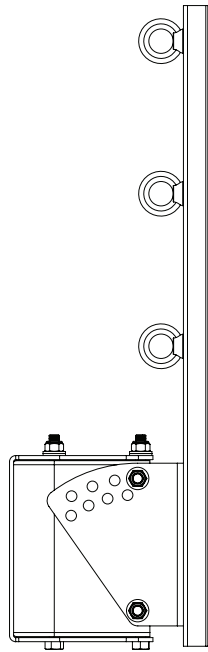
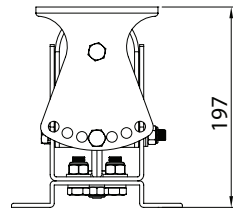
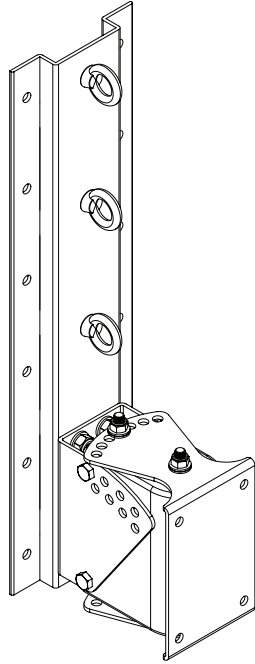




ONE SYSTEMS[®]
DIRECT WEATHER LOUDSPEAKERS

PT76/M

PAN & TILT BRACKET



ONE SYSTEMS[®]

One Systems, Inc • Nashville, TN 37215
One Systems Global Co. Ltd. • 399/1 Srinakarin Road • Huamak, Bangkok
Bangkok, Thailand 10240