

# PT38/M

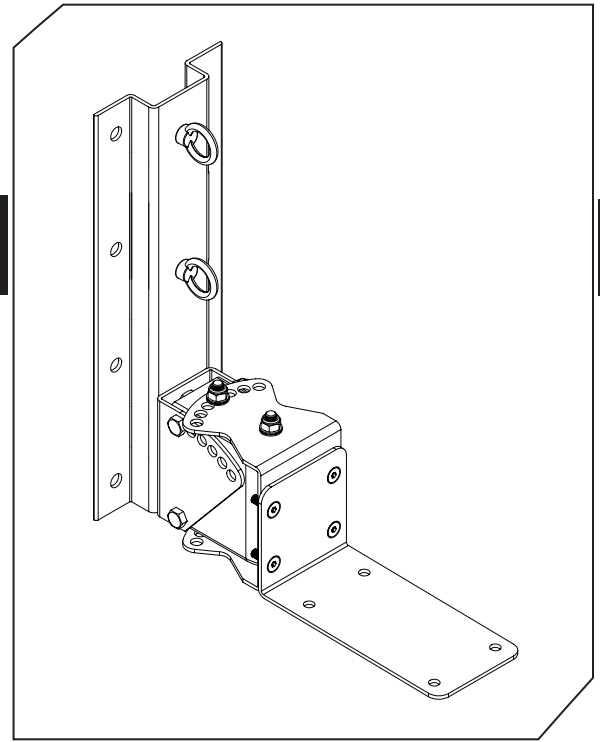
## POLE MOUNT SYSTEM

The ONE SYSTEMS<sup>®</sup> PT-38/M is a pan and tilt bracket designed for use with the a variety of ONE SYSTEMS sound reinforcement enclosures. The design utilizes 316-grade stainless steel for use in ocean front and cruise ship environments and is may be used in inland direct weather environments as well. It is designed for use on square/rectangular poles. All components of the PT38/M are constructed of high quality 316-grade stainless steel and are suitable for outdoor permanent installation.

The ONE SYSTEMS PT38/M provides a “tilt” angle range from vertical (0 degrees) to a maximum down tilt of 35 degrees. The tilt angle is adjustable in 13.3 degree increments. The “pan” angle varies from on axis to 40 degrees either side of the longitudinal axis in 13.3 degree increments.

The PT38/M is designed for use with the 108HTH, 108HTC, and 208HTC enclosures. The PT38/M is designed for flat surface mounting only. If pole mounting is required the PM3/M must be used. No substitutions are permitted.

It is necessary that the installation and application of all suspended products conform to local and national codes. Installation of the PT38/M should only be attempted by an experienced professional that is familiar with local and national codes and safe suspension practices. ONE SYSTEMS also requires that the document “Rigging and Suspension of ONE SYSTEMS Products” be read and completely understood. This document is available at [www.onesystems.com](http://www.onesystems.com).



# PT38/M

POLE MOUNT SYSTEM

