

# PM3/M

## POLE MOUNT SYSTEM

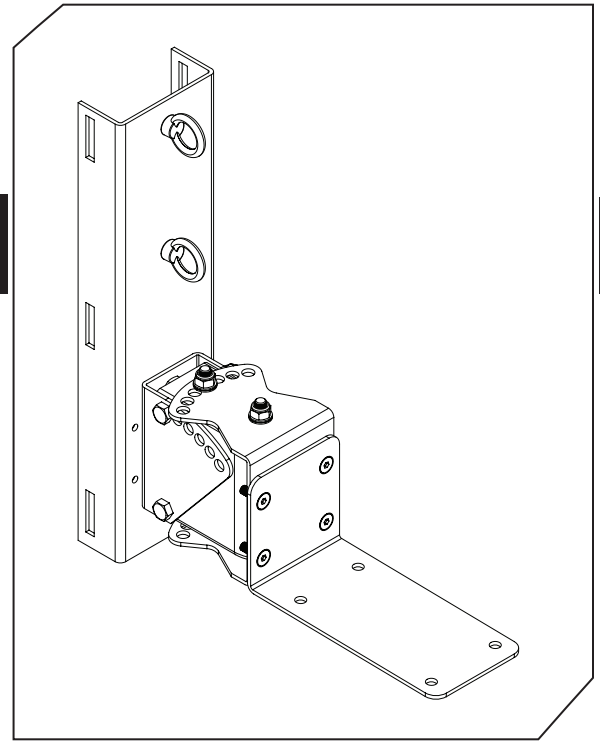
**WARNING:** Do not attempt to mount multiple brackets side by side using the same banding system. The banding systems are designed for **one** bracket **only!**

The ONE SYSTEMS<sup>®</sup> PM3/M is a pole mounting only bracket designed for use with a variety of ONE SYSTEMS sound reinforcement enclosures. The PM3/M is made with 316 grade stainless steel and was designed for use in ocean front and cruise ship environments and may be used in inland direct weather environments as well. It is designed for use on square/rectangular poles. All components of the PM3/M are constructed of high quality 316 grade stainless steel and are suitable for outdoor permanent installation.

The ONE SYSTEMS PM3/M provides a “tilt” angle range from vertical (0 degrees) to a maximum down tilt of 35 degrees. The tilt angle is adjustable in 13.3 degree increments. The “pan” angle varies from on axis to 40 degrees either side of the longitudinal axis in 13.3 degree increments.

The PM3/M is designed for use with the 108HTH, 108HTC, and 208HTC enclosures. The PM3/M is designed for pole mounting only. If flat surface mounting is required the PT-38M should be used. No substitutions are permitted.

It is necessary that the installation and application of all suspended products conform to local and national codes. Installation of the PM3/M should only be attempted by an experienced professional that is familiar with local and national codes and safe suspension practices. ONE SYSTEMS also requires that the document “Rigging and Suspension of ONE SYSTEMS Products” be read and completely understood. This document is available at [www.onesystems.com](http://www.onesystems.com).



# PM3/M

POLE MOUNT SYSTEM

