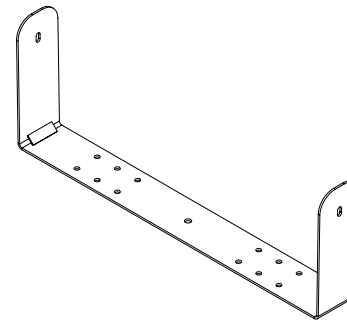
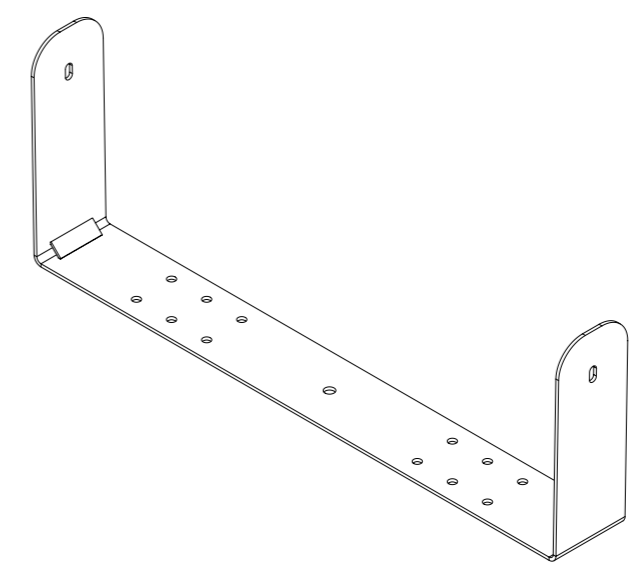
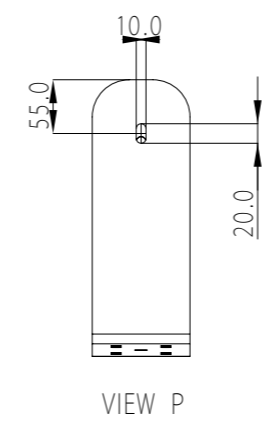
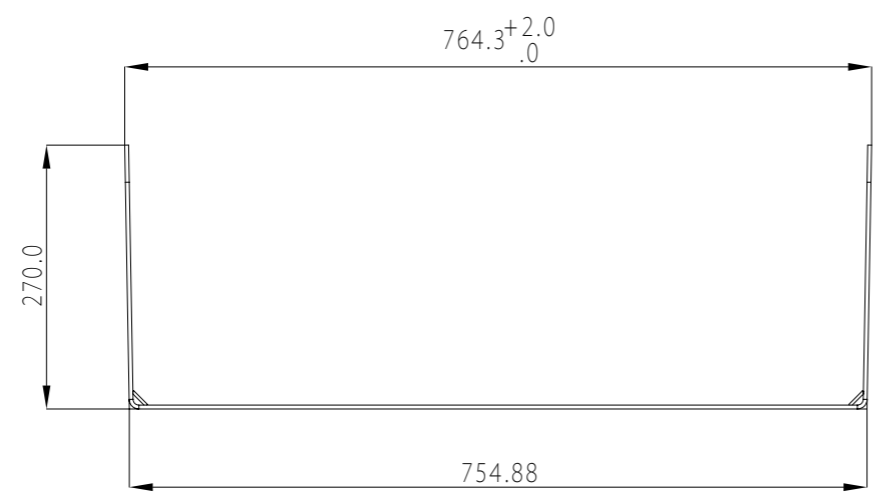
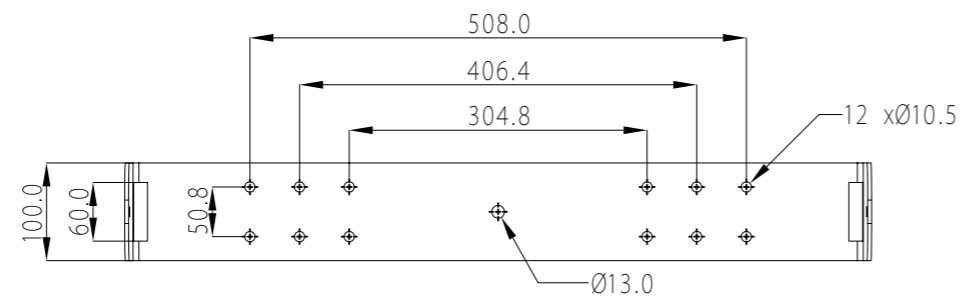


VIEW P



REVISIONS				
REV.	DATE	DESCRIPTION	NAME	REQUEST No.

THIRD ANGLE PROJECTION 	ORIGINAL MODEL	DATE	112HTH - U/M			
	ONE SYSTEMS	DATE				
UNLESS OTHERWISE SPECIFIED INTERPRET THIS DRAWING PER ANSI Y14.5M-1982			DESCRIPTION			
			SCALE	SIZE	CLASS	DRAWING NO.
				A4	PT	
						REV.



REVISIONS				
REV.	DATE	DESCRIPTION	NAME	REQUEST No.

THIRD ANGLE PROJECTION 	ORIGINAL MODEL	DRAWING	DATE	112HTH - U/M						
	ONE SYSTEMS	ENGINEER	DATE							
UNLESS OTHERWISE SPECIFIED INTERPRET THIS DRAWING PER ANSI Y14.5M-1982				QC	DATE	DESCRIPTION				
				PROD	DATE					
				APPROVED	DATE	SCALE	SIZE	CLASS	DRAWING NO.	REV.
							A4	PT		