

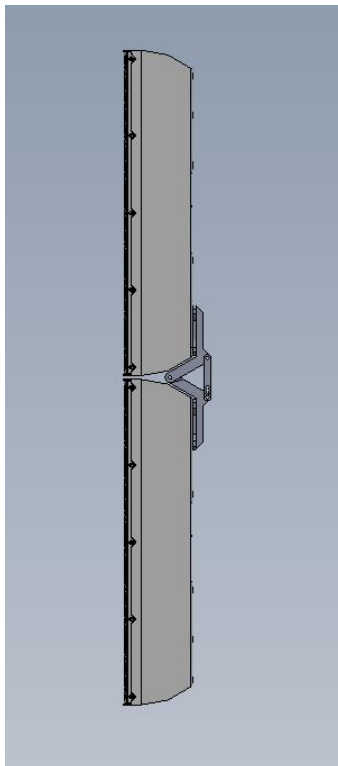


**onpointaudio®**

ACOUSTIC EXCELLENCE®

# **TBEC-82 Coupling Bracket Installation Guide for OPALine-82**

January 2015



Two OPALine-82 enclosures and the TBEC-82

The On Point Audio TBEC-82 is an easy to install and flexible system designed to allow a maximum of two OPALine-82 loudspeaker enclosures to be coupled together.

The only product approved for use with the TBEC-82 is the OPALine-82. **NO** other products may be substituted!

**NOTE:** The TBEC-82 was designed to couple a **MAXIMUM** of two OPALine-82 enclosures **ONLY!**

**DO NOT ATTEMPT TO USE MULTIPLE TBEC-82 COUPLING BRACKETS TO JOIN MORE THAN TWO OPALINE-82 ENCLOSURES TOGETHER!**

The OPALine-82 enclosures and the TBEC-82 are for **INDOOR** use only! **DO NOT USE IN OUTDOOR ENVIRONMENTS!**

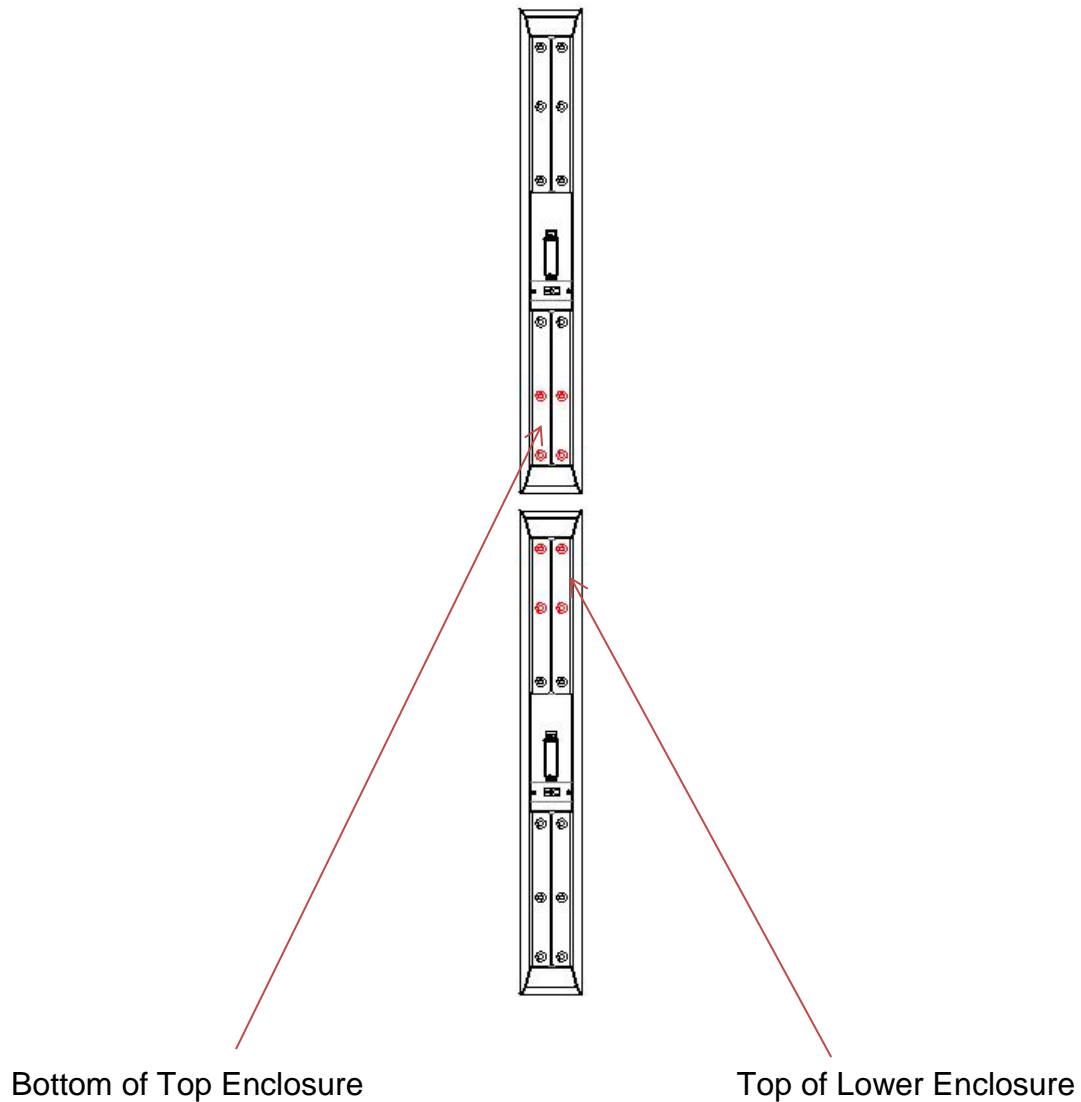
The following actions **MUST** be performed **PRIOR** to beginning the installation of the TBEC-82 and OPALine-82 enclosure:

1. This installation guide must be completely read and understood.
2. The instruction manual “Rigging and Suspension of On Point Audio Products” must be read and understood. (This instruction manual is available along with other technical papers at [www.onpointaudio.com](http://www.onpointaudio.com).)
3. The TBEC-82 coupling bracket should be installed only by someone experienced in the overhead suspension of items. They should be familiar with applicable local/national codes governing the installation of these types of products and those governing the attachment of these types of products to specific structures.

## **INSTALLATION**

The TBEC-82 may be mounted to the back of an OPALine-82 enclosure using the mounting locations noted below. **NO OTHER MOUNTING LOCATIONS MAY BE USED!** The only allowed locations are the 4 M5 mounting bushings on the very top of the lower enclosure and the very bottom of the top enclosure.

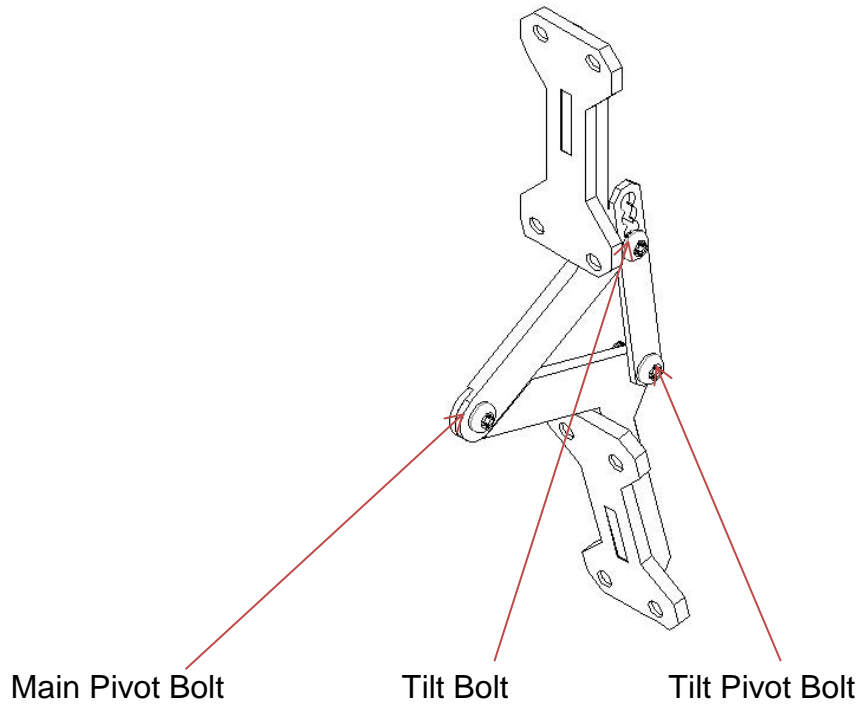
**NOTE:** **ALL** of the following operations should be performed on the ground! **DO NOT** attempt any of these operations on a suspended OPALine-82!



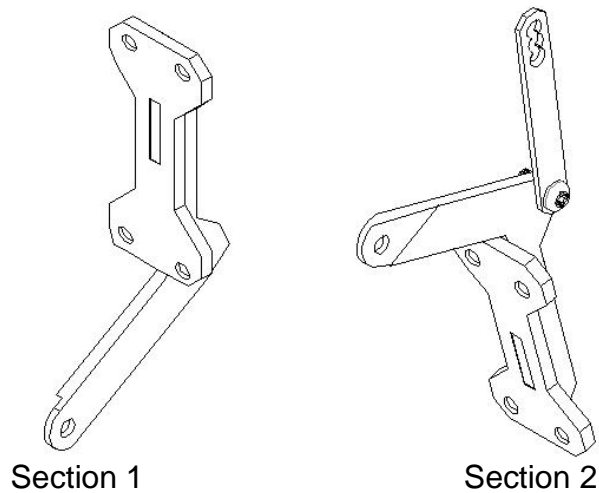
The TBEC should be mounted using the supplied M5 hardware. There are 8 M5 bolts, 8 flat washers, and 8 lock washers. Use ALL flat washers and lock washers!

To mount the TBEC-82 bracket to two OPALine-82 enclosures the following steps must be performed:

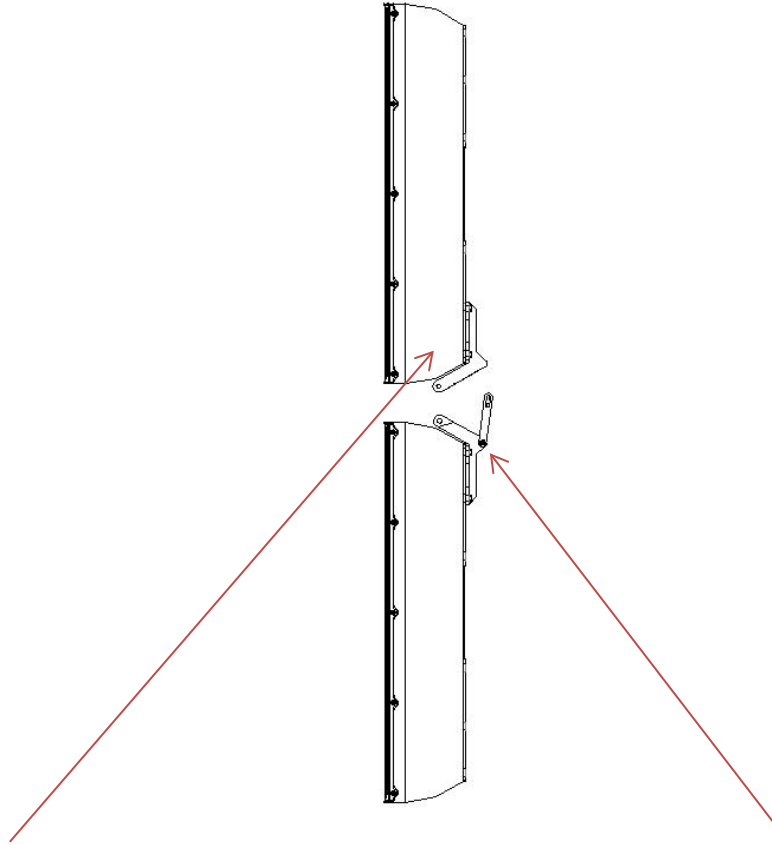
The TBEC-82 must be disassembled PRIOR to connecting the individual parts to each OPALine-82! The TBEC-82 bracket is shown below.



Remove the Main Pivot Bolt and Tilt Bolt. **Leave the Tilt Pivot Bolt in place.** The TBEC-82 will then be in two pieces as shown below.



Section 1 should be mounted to the LOWER part of the TOP OPALine-82 and Section 2 should be mounted to the TOP part of the LOWER OPALine-82. The proper locations are shown below.



Section 1 mounted to the top enclosure

Section 2 mounted to the bottom enclosure

Each section should be mounted using the M5 bolts, washers, and lock washers provided. DO NOT substitute any parts! ALL M5 bolts should be securely tightened.

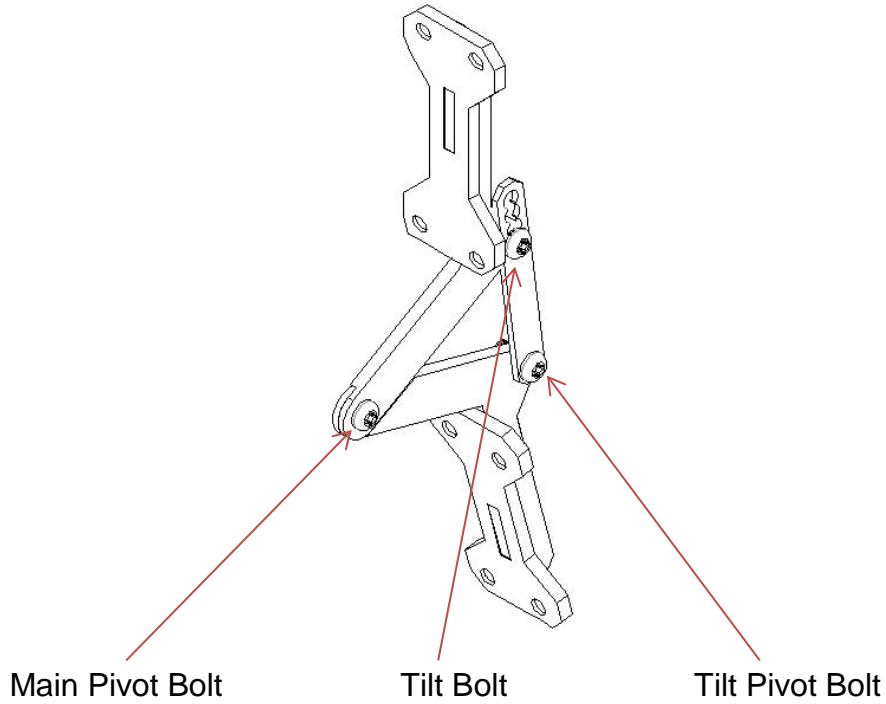
After the two sections are assembled to the individual OPALine-82 enclosures, the TBEC-82 may be joined back together using the following steps:

Insert the Main Pivot Bolt and place the washer and nylon insert nut in place but only tighten slightly.

**Ensure that the Main Pivot Bolt and Tilt Pivot Bolt are in place and the washers and nylon insert nuts are applied prior to setting the tilt angle!**

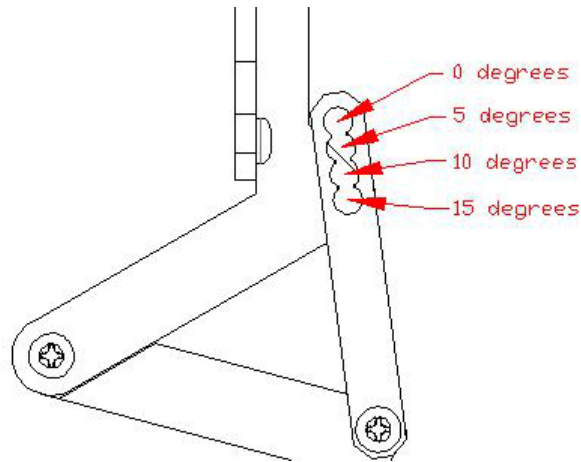
To set the tilt angle, insert the Tilt Bolt in the slot associated with the desired tilt angle between the two OPALine-82 enclosures.

The TBEC-82 offers multiple aiming angles for the two OPALine-82 enclosures. There are four possible angles available. The aiming steps are in 5 degree increments from 0 degrees to 15 degrees. The aiming angles are adjusted by selecting the proper location of the Tilt Bolt as shown below.



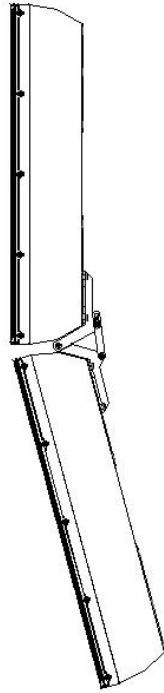
Once the tilt angle is established, place the nylon insert nut and washer in place on the Tilt Bolt and slightly tighten.

A close up view of the TBEC-82 is shown below indicating the aiming angles for each Tilt Bolt location.



Now tighten ALL nylon insert nuts associated with the Main Pivot Bolt, the Tilt Bolt, and the Tilt Pivot Bolt.

The TBEC-82 and two OPALine82's are now ready for suspension.



Two OPALine-82's and TBEC-82 shown with 15 degree maximum tilt angle

**The products referenced in this manual are in conformity with the following standards or other normative documents: Machinery Directive 2006/42/EC**