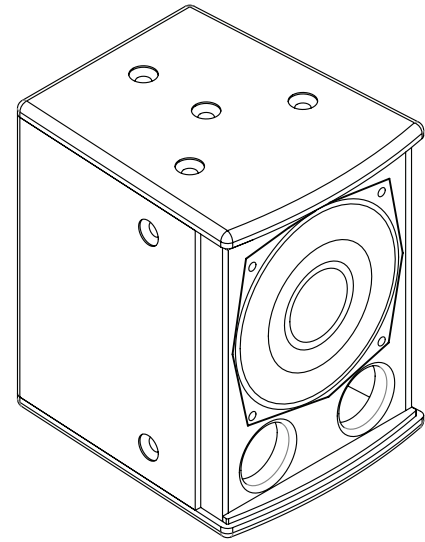


# OPA-5T

## APPLICATIONS:

The On Point Audio OPA-5T is a high-performance, ultra compact coaxial 5.25 inch (133mm) two-way loudspeaker system. The OPA-5T has been designed to provide superior intelligibility and fidelity for indoor permanent installations. The OPA-8NP features a 90-degree conical high-frequency horn radiation pattern. This pattern allows for wide coverage in near field applications. The OPA-5T was designed to not only offer excellent fidelity, but also provides superior vocal reproduction and intelligibility. The system consists of a single coaxial 5.25 inch woofer and pure titanium true compression driver. The high-frequency driver is a small format design. The OPA-5T is an ideal design for fixed installations, where excellent bandwidth and controlled time domain response are specified. The system design allows for superior intelligibility and articulation. The OPA-5T is well suited for distributed system designs in meeting places, restaurants, and pubs.

The OPA-5T is user configurable to allow for either low impedance (8 ohm) or high impedance operation. The system may be used in either 70Vrms or 100Vrms mode in the high impedance configuration. The enclosure offers multiple M8 rigging points and may be flown using forged shoulder eyebolts or a U-bracket.



## FEATURES

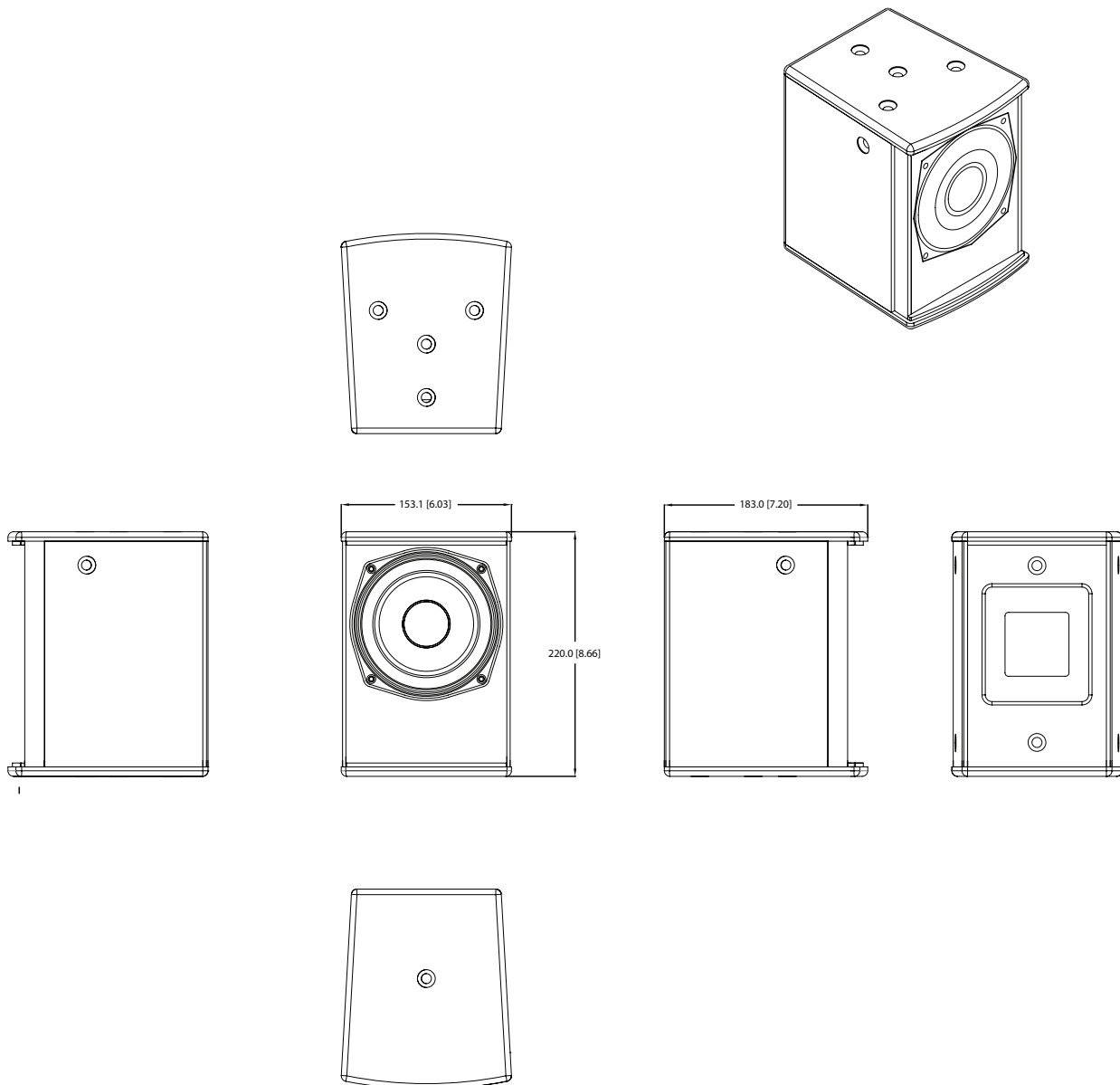
- » High-Output/High-Intelligibility two-way coaxial system.
- » Extremely small format enclosure
- » Optimized for high-intelligibility and vocal articulation.
- » Conical radiation pattern optimized for wide coverage
- » Pure titanium compression driver
- » Multiple M8 flying points
- » Steel U-Bracket included
- » User configurable Hi Impedance or Low Impedance operation (8 ohm low z)
- » 70Vrms and 100Vrms configurable

## SPECIFICATIONS

<b>Frequency Response:</b>	80Hz – 16kHz	<b>System Components:</b>	5.25 Coax
<b>Coverage Pattern:</b>	90 degrees conical	<b>Suspension/Mounting points:</b>	M8
<b>Passive Crossover Frequency:</b>	1600Hz	<b>Dimensions (H x W x D):</b>	220.0mm x 153.1mm x 183mm 8.66" x 6.03" x 7.20"
<b>Inputs:</b>	4-position barrier	<b>Net Weight:</b>	5.1kg (11.25 lbs)
<b>System Sensitivity (1watt-1meter):</b>	87dB	<b>Optional Accessories</b>	OPA5-U "U" bracket kit M8 Eye Bolt Kit-W
<b>Power Handling:</b>	125 watts Continuous 250 watts Program 500 watts Peak*		
<b>* NOTE: all system power handling ratings are amplifier headroom dependent</b>			
<b>Nominal Impedance:</b>	8 ohms		
<b>Hi-Z (70.7 – 100 Volt) taps:</b>	50 watts, 25 watts, 12.5 watts		

# OPA-5T

The OPA-5T enclosure has high quality plywood construction and features On Point Audio's Power Coat polyurea finish. The 5.25 inch woofer is an On Point Audio design that optimizes radiation area. The input section consists of both a 4-pin barrier strip (Lo impedance operation) and a 5 pin barrier strip (High impedance operation). Wiring instructions and diagrams are found on page 3 of this data sheet and on the On Point Audio web site. The small size and high output performance make the OPA-5 an excellent choice for high-performance foreground music and announcement systems.

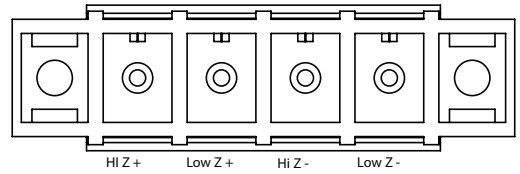
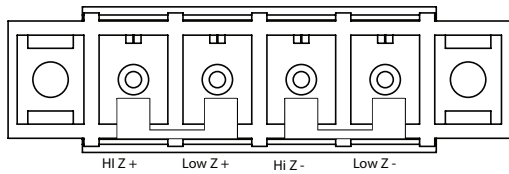


# OPA-5T

The On Point Audio OPA 5 is designed to be easily configured for either low impedance (Lo Z) 8- ohm operation or Hi Z (70.7Vrms or 100Vrms) operation. The OPA-5 is shipped from the factory configured for Hi Z (70.7Vrms or 100Vrms) operation. In this mode the wiring from an amplifier is connected to the lower (5 position) barrier strip. No wiring is required on the top (4-position) barrier strip. The two “shorting” links (shown in the image) must be left in place for Hi Z operation. The image on the left represents the Hi Z configuration.

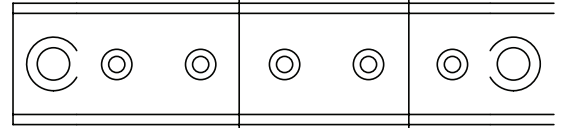
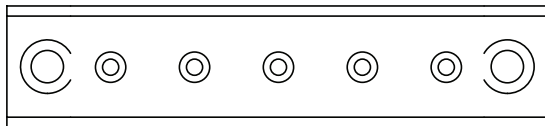
The lower (5-position) barrier strip may be wired for either 70.7Vrms or 100V operation. The specific positions to be used are determined by whether 70.7Vrms or 100Vrms wiring is required.

For Lo Z (8 ohm) operation the two “shorting” links must be removed. All wiring for Lo Z operation is on the top (4-position) barrier strip. The lower (5-position) barrier strip is not used for Lo Z operation. For Lo Z operation the “Low Z +” and “Low Z -” positions on the 4-position barrier strip are used. Do not wire to the “High Z +” or the “High Z -” positions for Lo Z operation. The image on the right shows the two “shorting” links removed and the amplifier wiring to the “Low Z +” and “Low Z -” positions.



100V	⏏	NC	50W	25W	12W
70.7V	⏏	50W	25W	12W	NC

100V	⏏	NC	50W	25W	12W
70.7V	⏏	50W	25W	12W	NC



FROM HI Z  
AMPLIFIER

FROM LO Z  
AMPLIFIER