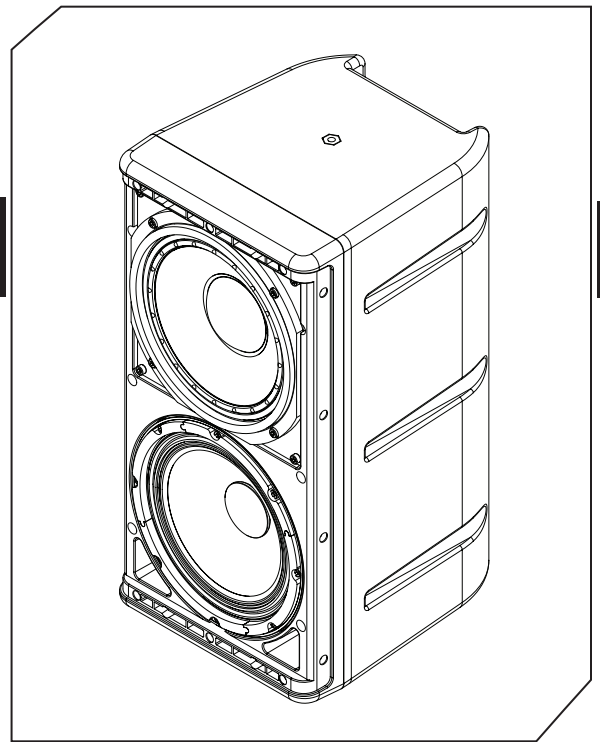


# 208HTC<sup>™</sup>

## DIRECT WEATHER HIGH PERFORMANCE LOUDSPEAKER SYSTEM

The One Systems 208HTC is a universal direct weather loudspeaker system designed for use in both marine environments and in general purpose inland environments. The dual 8-inch two-way design provides high level acoustic radiation from a compact enclosure. The 208HTC utilizes 316-grade stainless steel (marine-grade) for all structural and rigging points. All associated One Systems rigging accessories are also 316-grade stainless steel. All metal components that are not structural feature a newly developed marine-grade powder coat over 304-grade stainless steel. This allows the 208HTC to be used in ocean front and cruise ship applications, as well as in general direct weather installations. **IMPORTANT NOTE:** For ocean front and marine environments, the included “vent plugs” **must** be installed in the loudspeaker vents! The 208HTC also features an installer configurable High Z or Lo Z mode. The High Z mode features a wide bandwidth 1 50-watt autoformer that presents input taps of 150 watts, 75 watts, and 37.5 watts. The Lo Z mode is 4 ohms. The simple configuration process is found on the third page of this data sheet, or on the One Systems web site ([www.onesystems.com](http://www.onesystems.com)). The configuration scheme does not utilize any switches that limit system reliability. The Hi Z mode allows for either 70.7Vrms or 100Vrms operation. The 208HTC (USA) offers a medium format titanium compression driver and high order filtering to provide superb intelligibility, extended bandwidth, as well as superior system dynamics.

The 208HTC is optimized for outdoor short throw to medium throw applications such as theme parks, parade routes, baseball and football stadiums, and other entertainment/sports venues where permanent



### FEATURES & BENEFITS

- » Marine-grade (316) stainless steel rigging and structural support
- » Easily configurable Hi Z (150 watt) multi tap or Lo Z (4-ohm) operation
- » Combined 70.7Vrms or 100Vrms operation
- » Two element vertical array
- » No performance degrading or dynamics limiting passive protection devices
- » 400 watts continuous, 1600 watts peak power handling in Lo Z mode
- » IEC 529 IP 45 ingress protection (IP 56 with vent plugs installed)

### SPECIFICATIONS

<b>Frequency Response:</b>	65Hz – 16,000Hz	<b>Input Impedance (Lo Z):</b>	4-ohms
<b>Coverage Pattern:</b>	80 degrees conical	<b>Input Taps (Hi Z):</b>	150 watts, 75 watts, 37.5 watts
<b>Crossover Frequency:</b>	2000 Hz	<b>Weight:</b>	19.5kg (43 lbs)
<b>System Sensitivity (1 Watt / 1 Meter):</b>	96dB	<b>Dimensions (H x W x D) mm:</b>	483.84 x 243.2 x 270.8
<b>Power Handling:</b>	400 watts continuous 800 watts program 1600 watts peak	<b>Dimensions (H x W x D) in:</b>	19.05 x 9.56 x 10.66

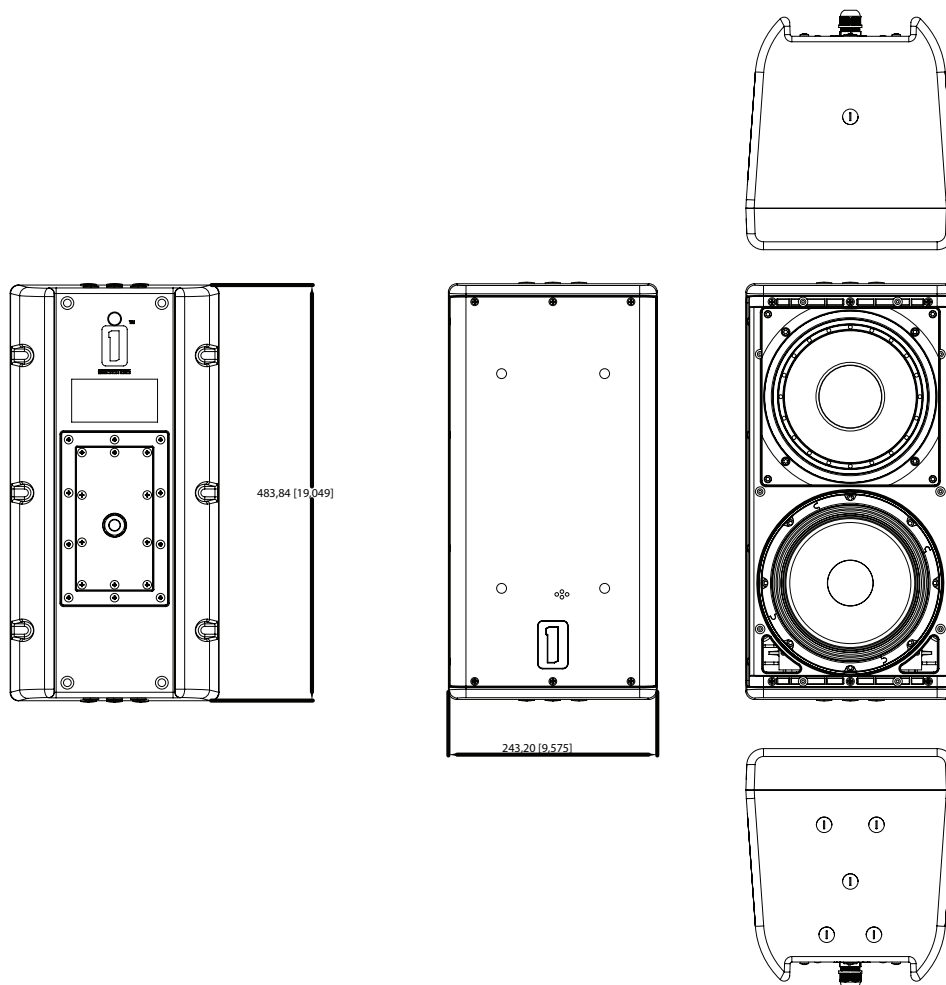
# 208HTC<sup>™</sup>

## DIRECT WEATHER HIGH PERFORMANCE LOUDSPEAKER SYSTEM

installation is required. The 208HTC is a very versatile design that offers high performance in a small physical package.

The 208HTC is a two-way design that features a two element vertical array. The 208HTC features two 8-inch low frequency devices. The top 8-inch unit is a coaxial design that utilizes a medium format titanium compression driver to provide high frequency radiation.

The One Systems 208HTC features 7 each M8 rigging points. These rigging points may be used with the One Systems PM3/M pole mount system or the PT38/M pan and tilt rigging brackets. The PT38/M is used for flat surface mounting. An optional U-bracket, the 108HTH-U/M, is also available as an accessory. The enclosure is an injection molded design that utilizes a high-impact copolymer material that exhibits superior weather resistance. The 208HTC is available in either black or white color. Both color options are stabilized for ultra violet exposure. The design features a three-layer "rain shield" grille and input weather cover with waterproof gland nut. The system ingress protection is IP 45 in normal mode and IP 56 when the vent plugs are installed.



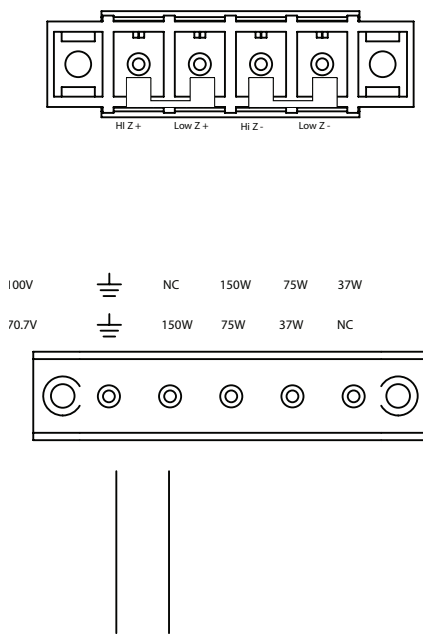
# 208HTC™

## DIRECT WEATHER HIGH PERFORMANCE LOUDSPEAKER SYSTEM

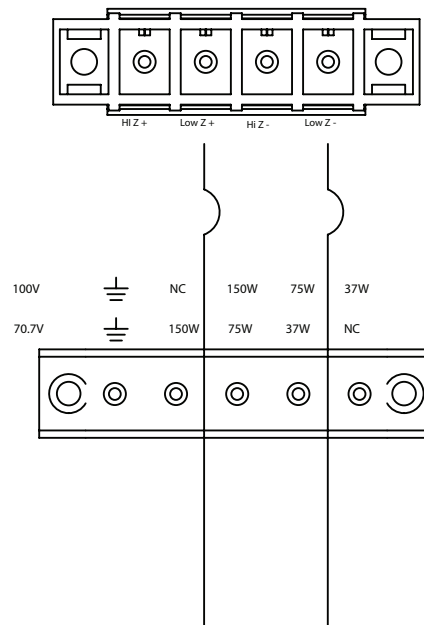
The One Systems 208HTC is designed to be easily configured for either low impedance (Lo Z) 4- ohm operation or Hi Z (70.7Vrms or 100Vrms) operation. The 208HTC is shipped from the factory configured for Hi Z (70.7Vrms or 100Vrms) operation. In this mode the wiring from an amplifier is connected to the lower (5 position) barrier strip. **No** wiring is required on the top (4- position) barrier strip. The two “shorting” links (shown in the image) must be left in place for Hi Z operation. The image on the left represents the Hi Z configuration.

The lower (5-position) barrier strip may be wired for either 70.7Vrms or 100V operation. The specific positions used are determined by whether 70.7Vrms or 100Vrms wiring is required.

For Lo Z (4-ohm) operation, the two “shorting” links must be removed. **All** wiring for Lo Z operation is on the top (4-position) barrier strip. The lower (5-position) barrier strip is **not** used for Lo Z operation. For Lo Z operation, the “Low Z +” and “Low Z -” positions on the 4-position barrier strip are used. **DO NOT** wire to the “High Z +” or the “High Z -” positions for Lo Z operation. The image on the right shows the two “shorting” links removed and the amplifier wiring to the “Low Z +” and “Low Z -” positions.



FROM HI Z  
AMPLIFIER



FROM LO Z  
AMPLIFIER