

PM4/M

POLE MOUNT SYSTEMM

WARNING: Do not attempt to mount multiple brackets side by side using the same banding system. The banding systems are designed for **one** bracket **only!**

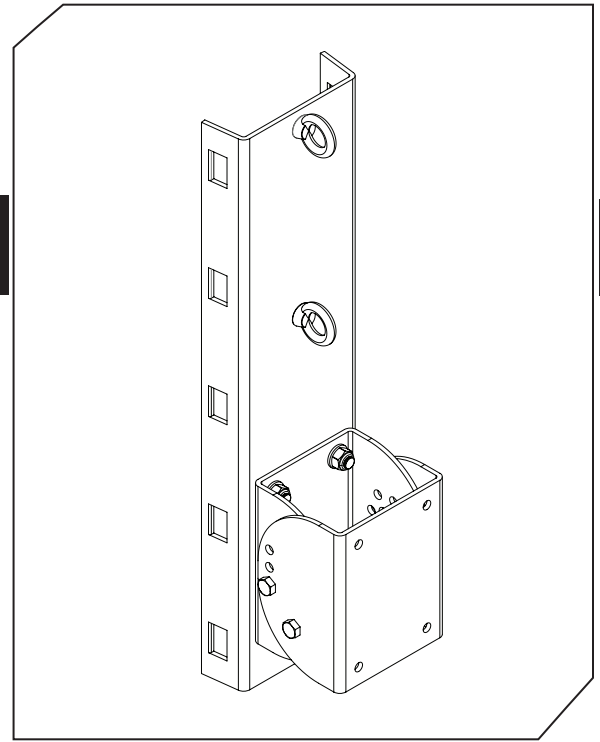
ONE SYSTEMS offers a variety of mounting systems designed to provide enhanced flexibility to our loudspeaker systems. The PM4/M was designed to mount many of ONE SYSTEMS loudspeaker enclosures to a wide variety of pole diameters. The PM4/M is constructed of 316-grade stainless steel and is designed for use in ocean front and cruise ship environments as well as inland direct weather installations.

The PM4/M will accommodate pole diameters from 10 inches (254mm) or larger. It is necessary to consult the pole manufacturer prior to installation to insure safe operating limits based on the pole construction, local wind patterns, and compliance with local and national codes.

The PM4/M was designed to be used with the ONE SYSTEMS 112HTH, 212HC, 312HC, 118HSB and CFA-2HTH loudspeaker enclosures. The system consists of a pole mounting bracket that includes a tilting function. The tilt function allows down tilt, in 5 degree increments, from 0 degrees to a maximum down tilt of 35 degrees. The PM4/M is designed for pole mounting only. If flat surface installation are specified, the PT76/M must be used.

The PM4/M is constructed from heavy gauge 316-stainless steel and is designed for outdoor installations. The system is mounted to a pole using a stainless steel band and clamp system. The banding system and components are available from BAND-IT- IDEX Corporation. Details and sourcing information are available in the installation manual.

Mounting instructions may be found at www.ONESYSTEMS.com. Installation of the PM4/M should only be attempted by experienced professionals with knowledge of mounting to pole structures.



PM4/M

POLE MOUNT SYSTEMM

