

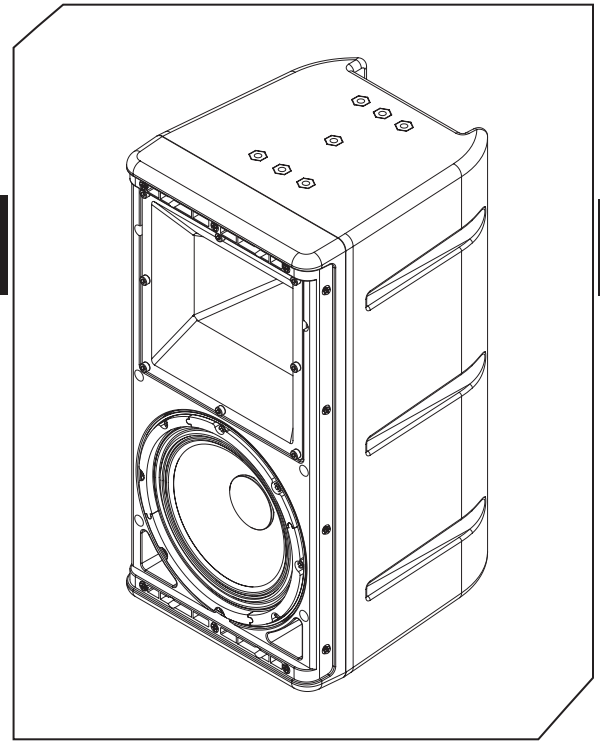
108IM-f[™]

DIRECT WEATHER HIGH PERFORMANCE LOUDSPEAKER SYSTEM

The One Systems 108IM-f is a universal direct weather loudspeaker system designed for use in general purpose inland environments. The 8-inch two-way design provides excellent acoustic radiation from a compact enclosure. The 108IM-f utilizes 304-grade stainless steel for all structural and rigging points as well as the grill and all associated hardware. The 108IM-f is designed for use in inland direct weather installations. The One Systems 108HTH should be used in ocean front and marine environments. The 108IM-f also features an installer configurable High Z or Lo Z mode. The High Z mode features a wide bandwidth 150-watt autoformer that presents input taps of 150 watts, 75 watts, and 37.5 watts. The Lo Z mode is 8 ohms. The simple configuration process is found on the third page of this data sheet or on the One Systems web site (www.onesystems.com). The configuration scheme does not utilize any switches that limit system reliability. The Hi Z mode allows for either 70.7Vrms or 100Vrms operation. The 108IM-f offers a medium format titanium compression driver and high order filtering to provide superb intelligibility, extended bandwidth, as well as superior system dynamics.

The 108IM-f is optimized for outdoor short-throw to medium-throw applications such as theme parks, parade routes, baseball /football stadiums, and other entertainment/sports venues where permanent installation is required. The 108IM-f is a very versatile design providing high performance in a small physical package.

The 108IM-f is a two-way design that features rotatable and interchangeable high frequency horns. The 108IM-f has a rotatable 60 x 40 degree horn



FEATURES & BENEFITS

- » 304 stainless steel rigging and structural support
- » Easily configurable Hi Z (150 watt) multi tap or Lo Z (8 ohm) operation
- » Combined 70.7Vrms or 100Vrms operation
- » Rotatable High frequency horns
- » Both 60 x 40 and 105 x 60 horns supplied
- » No performance degrading or dynamics limiting passive protection devices
- » 200 watts continuous, 800 watts peak power handling in Lo Z mode
- » IEC 529 IP 45 ingress protection (IP 56 when vent plugs are installed)

SPECIFICATIONS

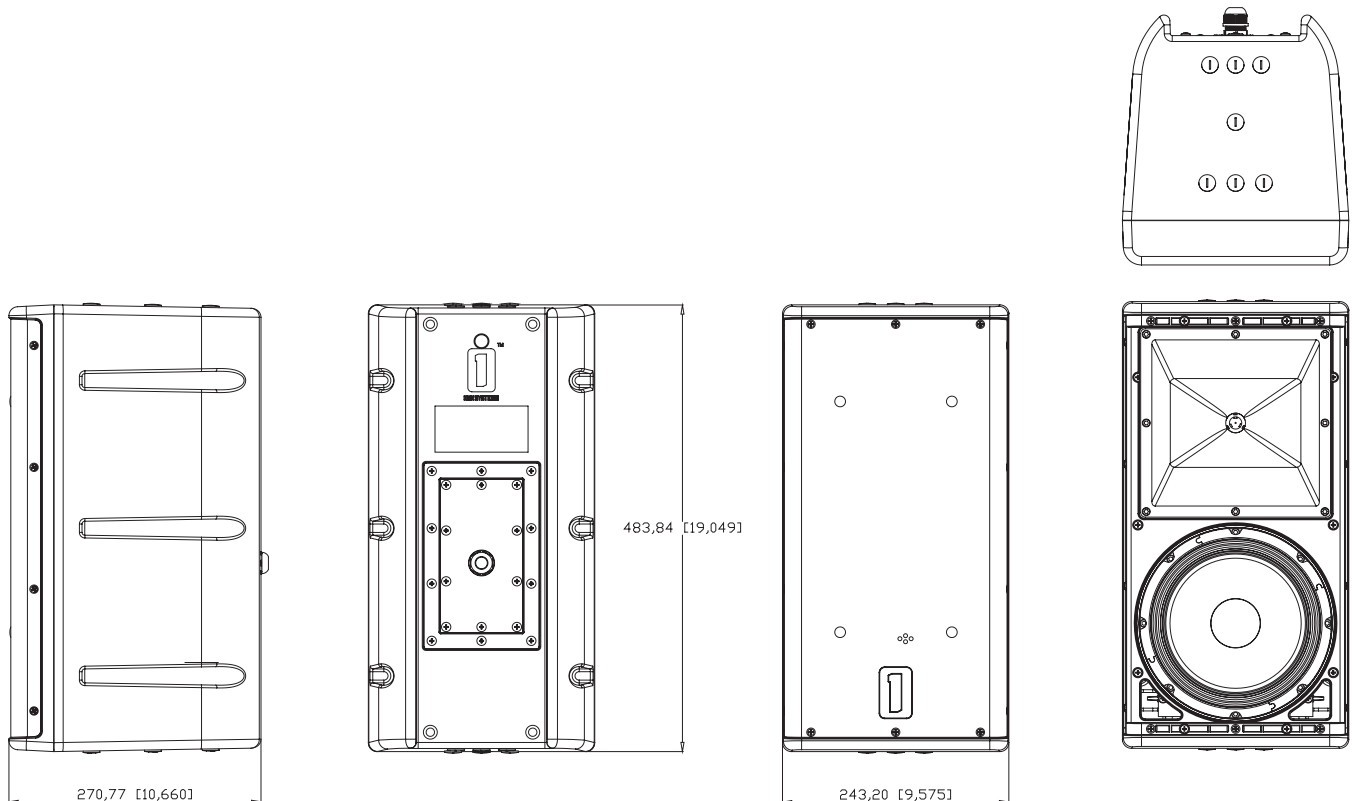
Frequency Response:	65Hz – 16,000Hz	Dimensions (H x W x D) mm:	483.3 x 243.2 x 270.8
Coverage Pattern:	60 x 40 degrees or 105 x 60 degrees	Dimensions (H x W x D) in:	19.05 x 9.56 x 10.66
Crossover Frequency:	2000 Hz (60 x 40 horn) 1600 Hz (105 x 60 horn)		
System Sensitivity (1 Watt / 1 Meter):	92dB		
Power Handling:	200 watts continuous 400 watts program 800 watts peak		
Input Impedance (Lo Z):	8-ohms		
Input Taps (Hi Z):	150 watts, 75 watts, 37.5 watts		
Weight:	13.6kg (29.9 lb.)		

108IM-f™

DIRECT WEATHER HIGH PERFORMANCE LOUDSPEAKER SYSTEM

installed and is also shipped with a wide coverage pattern 105 x 60 horn that is also fully rotatable. The medium Q, 60 x 40 pattern, is ideal for medium-throw applications and where venue or space acoustics require a tighter high frequency pattern. The 105 x 60 high frequency wave guide provides broad dispersion. The 8-inch nominal diameter low frequency component features a very large voice coil diameter insures high reliability and excellent linearity.

The One Systems 108IM-f features 7 each M8 rigging points on the enclosure. These rigging points may be used with the One Systems PM3/M pole mount system or the PT38/M rigging brackets. The PT38/M is used for flat surface mounting. An optional U-bracket, the 108HTH-U/M is also available as an accessory. The enclosure is an injection molded design that utilizes a high impact copolymer material that exhibits superior weather resistance. The 108IM-f is available in either black or white color. Both color options are stabilized for ultra violet exposure. The enclosure also features a three layer "rain shield" grille design and an input weather cover with water proof gland nut. The system ingress protection is IP 45 in normal configuration and IP 56 when the vent plugs are installed



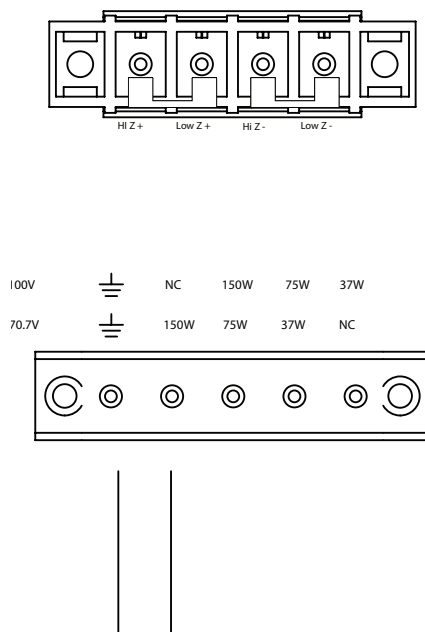
108IM-f™

DIRECT WEATHER HIGH PERFORMANCE LOUDSPEAKER SYSTEM

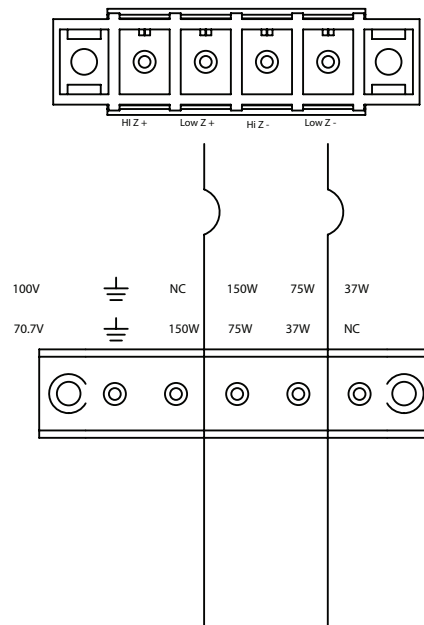
The One Systems 108IM-f is designed to be easily configured for either low impedance (Lo Z) 8- ohm operation or Hi Z (70.7Vrms or 100Vrms) operation. The 108IM-f is shipped from the factory configured for Hi Z (70.7Vrms or 100Vrms) operation. In this mode the wiring from an amplifier is connected to the lower (5 position) barrier strip. No wiring is required on the top (4- position) barrier strip. The two “shorting” links (shown in the image) must be left in place for Hi Z operation. The image on the left represents the Hi Z configuration.

The lower (5-position) barrier strip may be wired for either 70.7Vrms or 100V operation. The specific positions used are determined by whether 70.7Vrms or 100Vrms wiring is required.

For Lo Z (8 ohm) operation the two “shorting” links must be removed. All wiring for Lo Z operation is on the top (4-position) barrier strip. The lower (5 position) barrier strip is not used for Lo Z operation. For Lo Z operation the “Low Z +” and “Low Z -” positions on the 4-position barrier strip are used. Do not wire to the “High Z +” or the “High Z -” positions for Lo Z operation. The image on the right shows the two “shorting” links removed and the amplifier wiring to the “Low Z +” and “Low Z -” positions.



FROM HI Z
AMPLIFIER



FROM LO Z
AMPLIFIER