



# PT-35-2™ PAN & TILT BRACKET

**ONE SYSTEMS®**

**WARNING: DO NOT attempt to mount multiple brackets side by side using the same stainless steel banding system. The stainless steel banding systems are designed for use with ONE bracket ONLY!**

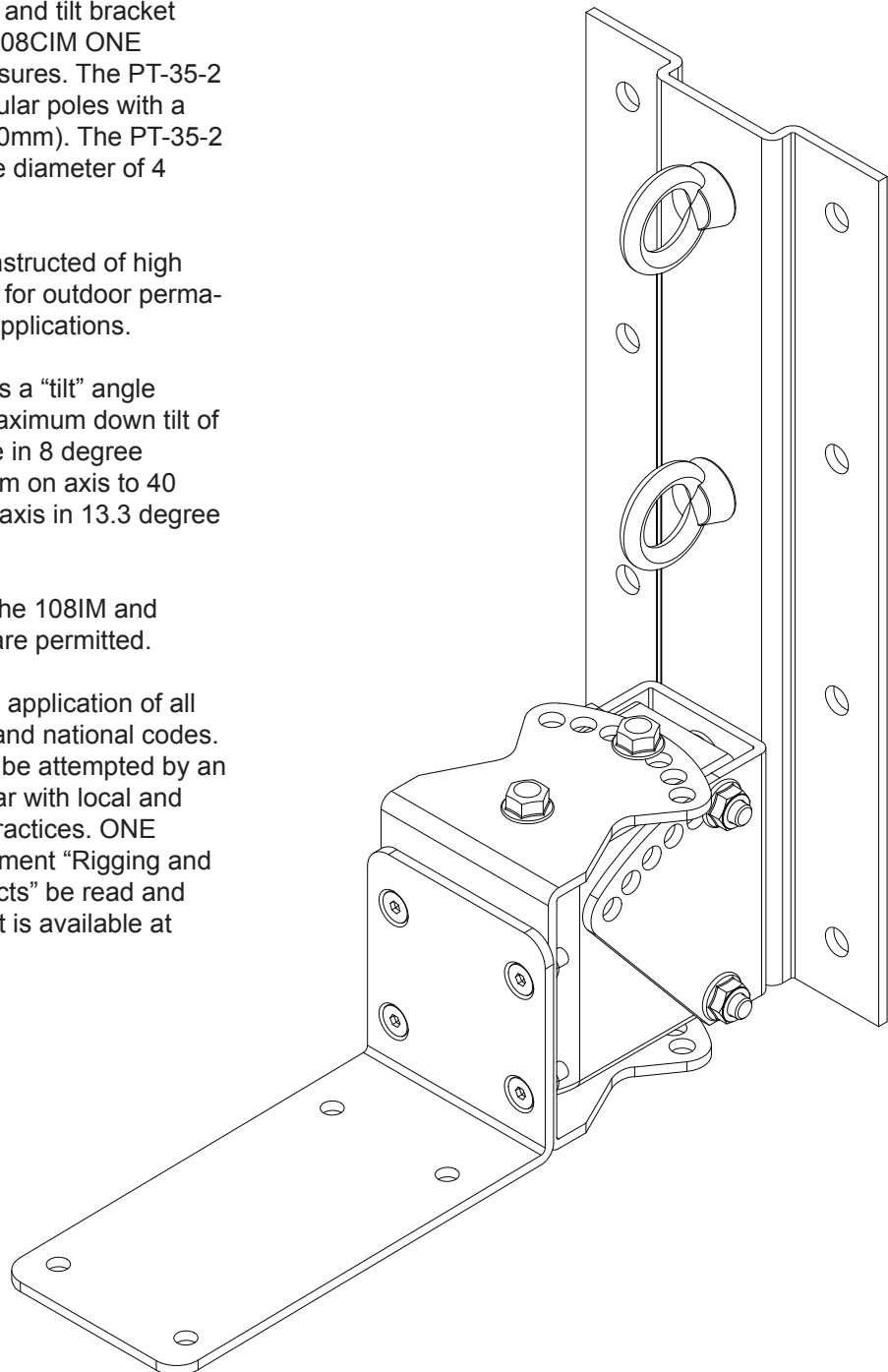
The ONE SYSTEMS PT-35-2 is a pan and tilt bracket designed for use with the 108IM and 208CIM ONE SYSTEMS sound reinforcement enclosures. The PT-35-2 will mount to flat surfaces and rectangular poles with a minimum surface width 5.5 inches (140mm). The PT-35-2 will also pole mount to a minimum pole diameter of 4 inches (101mm).

All components of the PT-35-2 are constructed of high quality stainless steel and are suitable for outdoor permanent installation as well as for indoor applications.

The ONE SYSTEMS PT-35-2 provides a “tilt” angle range from vertical (0 degrees) to a maximum down tilt of 35 degrees. The tilt angle is adjustable in 8 degree increments. The “pan” angle varies from on axis to 40 degrees either side of the longitudinal axis in 13.3 degree increments.

The PT-35-2 is designed for use with the 108IM and 208CIM enclosures. No substitutions are permitted.

It is necessary that the installation and application of all suspended products conform to local and national codes. Installation of the PT-35-2 should only be attempted by an experienced professional that is familiar with local and national codes and safe suspension practices. ONE SYSTEMS also requires that the document “Rigging and Suspension of ONE SYSTEMS Products” be read and completely understood. This document is available at [www.onesystems.com](http://www.onesystems.com)



**ONE SYSTEMS®**



# PT-35-2™ PAN & TILT BRACKET

ONE SYSTEMS®

