



**ONE SYSTEMS®**

# PT-10™ PAN & TILT BRACKET

**WARNING: DO NOT attempt to mount multiple brackets side by side using the same stainless steel banding system. The stainless steel banding systems are designed for use with ONE bracket ONLY!**

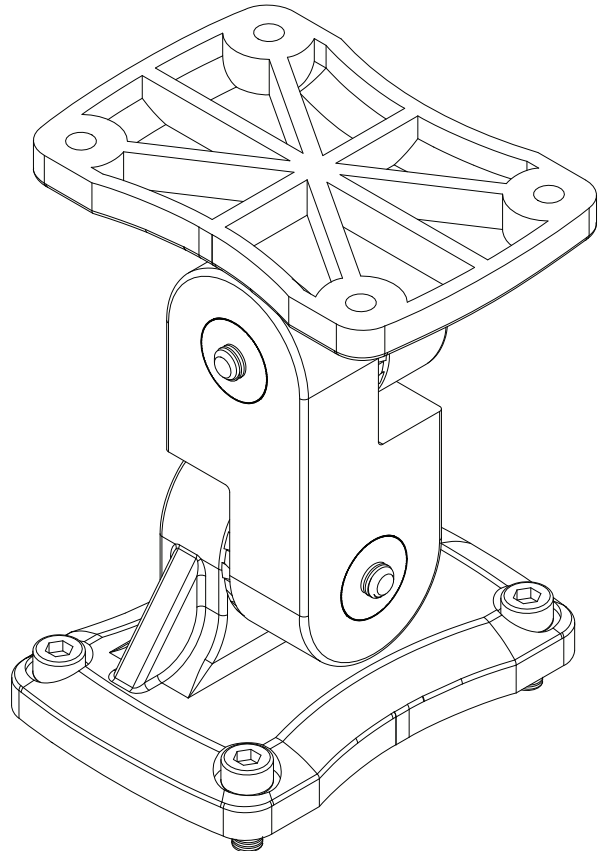
The ONE SYSTEMS PT-10 is a pan and tilt bracket designed for use with a variety of ONE SYSTEMS sound reinforcement enclosures.

All components of the PT-10 are constructed of high quality stainless steel and durable resin and are suitable for outdoor permanent installation, as well as for indoor applications.

The ONE SYSTEMS PT-10 provides a “pan and tilt” angle range from vertical (0 degrees) in 10 degree increments. There are two center pieces supplied and each center piece is capable of 20 degree increments in both pan and tilt axis rotations. The second center piece has its locating “teeth” rotated 10 degrees from the first center piece and may be interchanged to provide the required aiming precision within the 10 degree step resolution

The PT-10 is designed for use with the 103IM and 106IM enclosures, including their transformer variants. No substitutions are permitted.

It is necessary that the installation and application of all suspended products conform to local and national codes. Installation of the PT-10 should only be attempted by an experienced professional that is familiar with local and national codes and safe suspension practices. ONE SYSTEMS also requires that the document “Rigging and Suspension of ONE SYSTEMS Products” be read and completely understood. This document is available at [www.onesystems.com](http://www.onesystems.com)

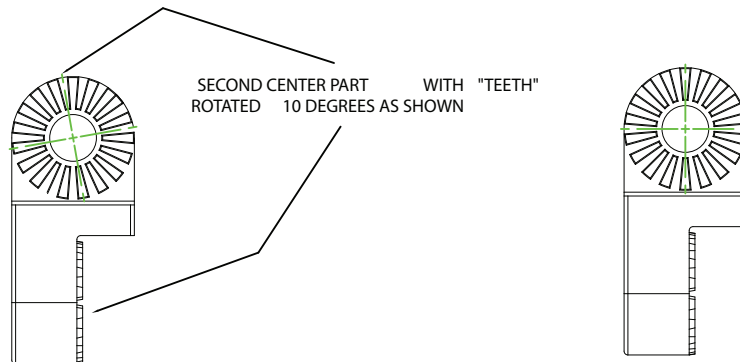
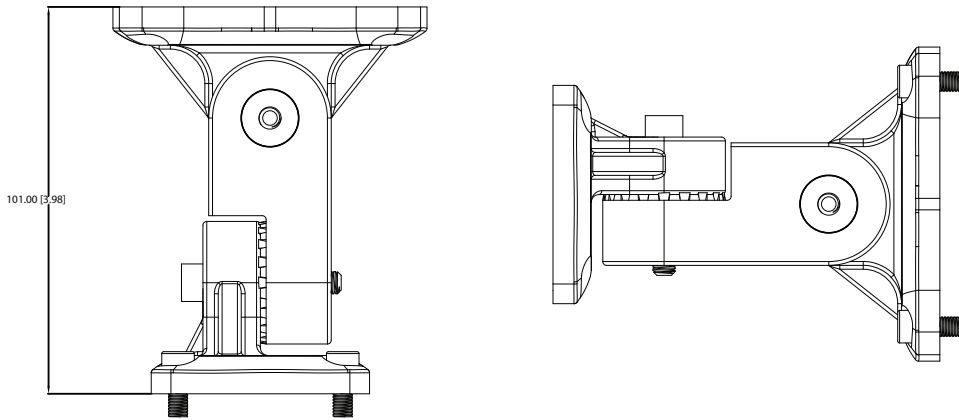
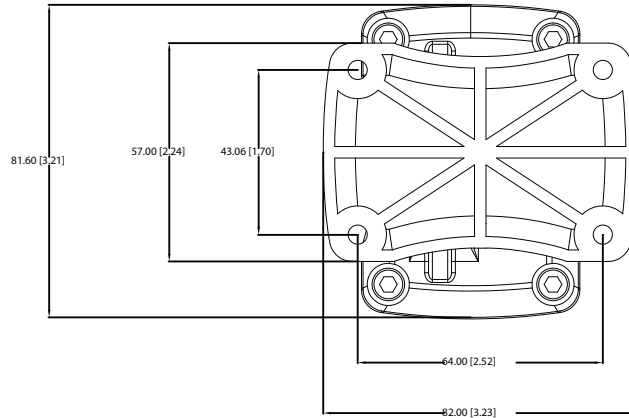


**ONE SYSTEMS®**



# PT-10™ PAN & TILT BRACKET

ONE SYSTEMS®



PART 2

PART 1