



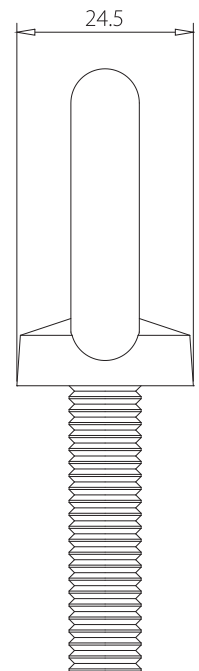
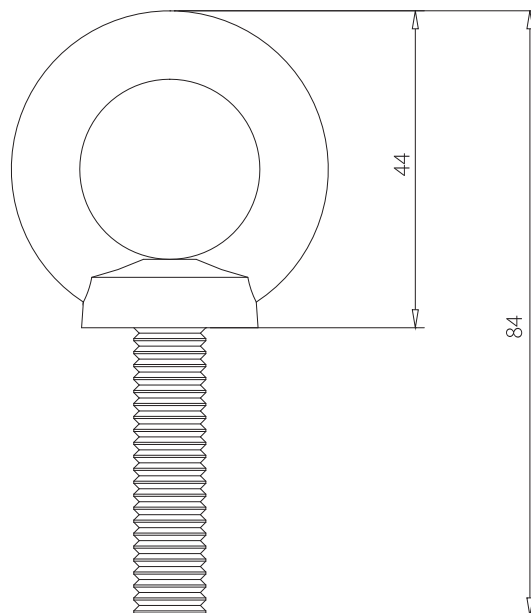
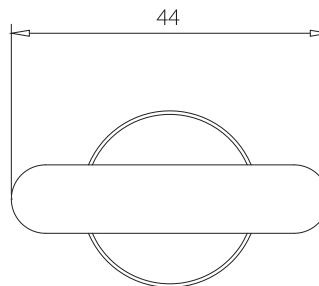
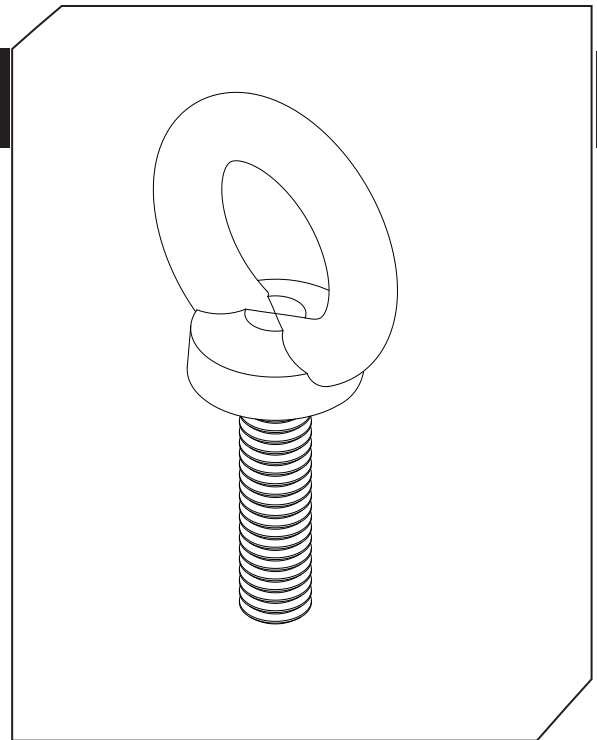
# EYE BOLT KITS

**ONE SYSTEMS®**

ONE SYSTEMS® offers a wide variety of enclosures that are compatible with M10 forged shoulder “eye” bolt suspension. ONE SYTEMS offer a complete kit that consists of 4 forged shoulder eye bolts and all necessary additional hardware. Each eye bolt is made of stainless steel and is suitable for both outdoor permanent installation and indoor applications.

Suspending any product should only be attempted by individuals experienced and familiar with safe suspension practices. Installation of eye bolts requires a complete understanding of not only national and local codes for suspension of products but also requires a complete understanding of the structural limitations and proper orientation of eye bolts. Information of eye bolt structural ratings can be found at [www.onesystems.com](http://www.onesystems.com). (“ONE SYSTEMS eye bolt kits”). This information is available in the “Education” section of the ONE SYSTEMS web site. This information should be read and understood prior to attempting to suspend any products.

In addition, it is necessary to read and understand “Rigging and Suspension of ONE SYSTEMS Products”. This information is also available at [www.onesystems.com](http://www.onesystems.com), and can be found in the “Education” section of the web site.



ONE SYSTEMS USA, Inc  
6204 Gardendale Dr. • Nashville, TN 37215  
ONE SYSTEMS Group- European Division  
Mittelsmoorer Strasse 12  
28879 Grasberg Germany  
ONE SYSTEMS Global Co. Ltd.  
87/114 Modern Town 15th Floor  
Sukhumvit 63 Ekkamai Soi 3  
Klongtoey, Bangkok 10110 Thailand