

1

218SUB-W™

DOUBLE 18" HIGH-OUTPUT LOW
FREQUENCY SUBWOOFER SOUND
REINFORCEMENT SYSTEM

ONE SYSTEMS®

The 218Sub-W™ is a double 18 inch high output low frequency sub woofer sound reinforcement system. The system utilizes a rectangular enclosure geometry. This geometry provides increased low frequency response due to its larger internal volume, as compared to a conventional trapezoidal enclosure. This design is intended for applications where substantial low frequency energy is specified.

The 218Sub-W may be used in outdoor installations as well as indoor applications where high output and accuracy are required. The unique design of the 18 inch 18I/O woofer provides an excellent combination of high sound pressure levels and low distortion.

The ONE SYSTEMS® 218SubW features an 18mm birch plywood enclosure that utilizes stainless steel internal structural supports to enable a variety of suspension points.

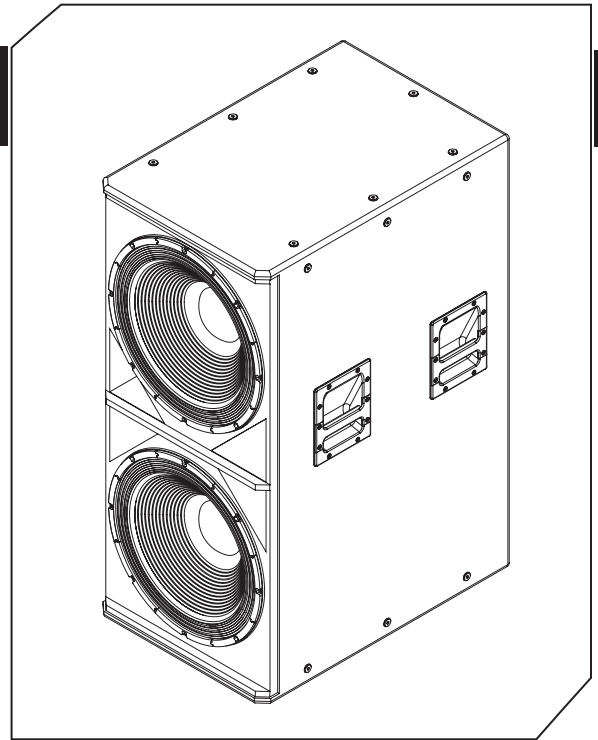
The grill is a 3 layer "rain shield" design that will minimize direct rain contact with the systems transducers. All internal and external metal hardware, as well as the grill, are stainless steel. The enclosure and grill design are rated to IEC 529 IP45 (solid object penetration to 1 mm (0.04 inches) and water jets from any direction). The enclosures and components are also rated to Mil Spec 810.

The input section consists of both 4 pin Neutrik® Speakons® as well as a stainless steel hardware barrier strip. A weather cover is provided with an integral Gland nut connector for outdoor applications. In the outdoor configuration connections are made thru the 4 position barrier strip.

The Gland nut is weather proof and is rated NEMA 6P (IP68). The connector will accommodate cable outside diameters from 7mm to 12mm (0.236" to 0.472"). The maximum diameter will accommodate most 2 conductor AWG 12 cable assemblies.

The low frequency design is patent pending. The 18 inch 18I/O woofer (Inside Only) utilizes a unique voice coil wind on the inside of the voice coil support structure. This design allows for both high magnetic system displacement as well as increased thermal transfer. This results in reduced power compression and higher reliability.

Because the ONE SYSTEMS 218Sub-W is designed for permanent installation applications a variety of rigging and suspension options are



FEATURES & BENEFITS

- » Weather Resistant 2 x 18" low frequency system.
- » Rectangular Enclosure Geometry for Optimized Bass
- » Fully rigged for suspension
- » 2 x 18 inch 18I/O ONE SYSTEMS woofers
- » Patent Pending large voice coil low frequency transducer.
- » Multiple M10 flying points.
- » Gland Nut and Speakon inputs
(Weather cover for Gland nut installations)

SPECIFICATIONS

Frequency Response:	40Hz – 150Hz
Coverage Pattern:	Essentially omnidirectional
Crossover Frequency:	Recommended 80Hz (150z max)
Inputs:	4 position barrier or 2 each 4 pin Speakon
Sensitivity:	101dB (1 watt at 1 meter half space) 98dB (1 watt at 1 meter full space)
Power Handling:	1600 watts continuous, 3200 watts program, 6400 watts peak*
Nominal Impedence:	4 ohms
Low Frequency:	ONE SYSTEMS 18 I/O (2 each)

1

218SUB-W™

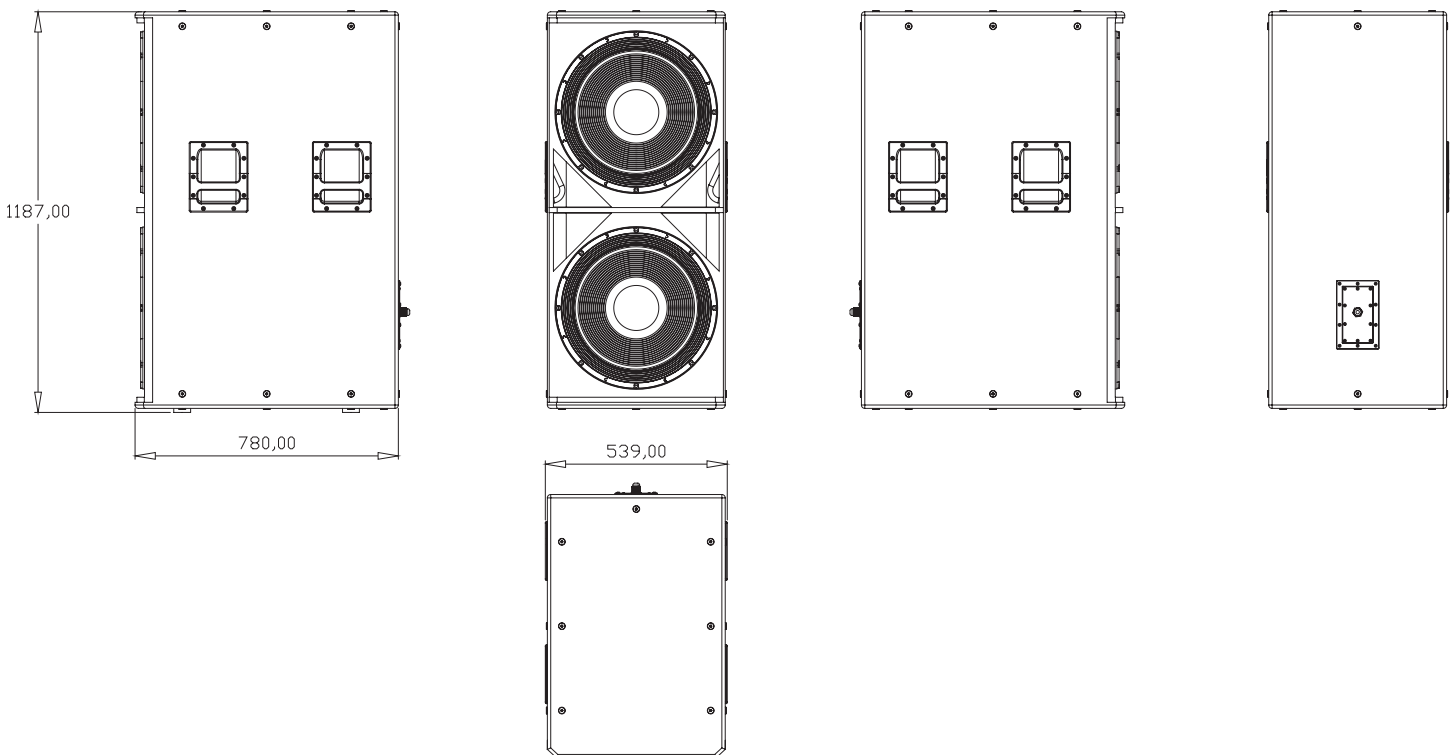
DOUBLE 18" HIGH-OUTPUT LOW
FREQUENCY SUBWOOFER SOUND
REINFORCEMENT SYSTEM

ONESYSTEMS®

available. The 118SubW has 22 M10 mounting points. An M10 forged shoulder eye bolt kit is available for all M10 suspension points.

SPECIFICATIONS (continued)

High Frequency:	N/A
Weather Performance:	IEC 529 IP 45 Mil Spec 810
System Tunings (Bi-amp mode):	ONESYSTEMS.com
EASE 4.0 data:	ONESYSTEMS.com
Suspension/Mounting points:	22 each M10
Dimensions (H x W x D):	1187mm x 539mm x 780mm (46.73 in x 21.11 in x 30.7 in)
Net Weight:	82.1 kg (181 lb)
Optional Accessories:	M10 Forged Shoulder Eye Bolt



ONESYSTEMS®

One Systems USA, Inc • 6204 Gardendale Dr. • Nashville, TN 37215
One Systems Global Co. Ltd. • 87/114 Modern Town 15th Floor • Sukhumvit 63 Ekkamai Soi 3
Klongtoey, Bangkok 10110 Thailand