

1

212CIM-W/Marine™

DIRECT WEATHER HIGH PERFORMANCE
MARINE AND OCEANFRONT
LOUDSPEAKER SYSTEM

ONE SYSTEMS®

The 212CIM-W/Marine is a compact, high-output loudspeaker system. The 212CIM-W/Marine was designed for use in ocean front and cruise ship environments and utilizes 316-grade stainless steel for all external rigging. The grill and all external fasteners are also 316-grade stainless steel. The 212CIM-W/Marine was designed to produce very high sound pressure levels with full-range content and very high intelligibility. Unlike most compact high level vocal range systems, the ONE SYSTEMS 212CIM-W/Marine is not a series of horns "nested" inside larger horns. These prior art designs suffer from poor vocal intelligibility and are characterized by that traditional "honky" horn sound. The 212CIM Marine a very compact dual 12 inch system that uses a single coaxially mounted high frequency horn to enhance higher frequency vocal information. The vocal fundamentals are reproduced by a 2-element direct radiator design that does not suffer from the traditional colorations found in horn loaded systems. The 212CI-W/Marine is essentially a compact 2-element, 12-inch vertical array where the top 12" incorporates a coaxially mounted large format compression driver.

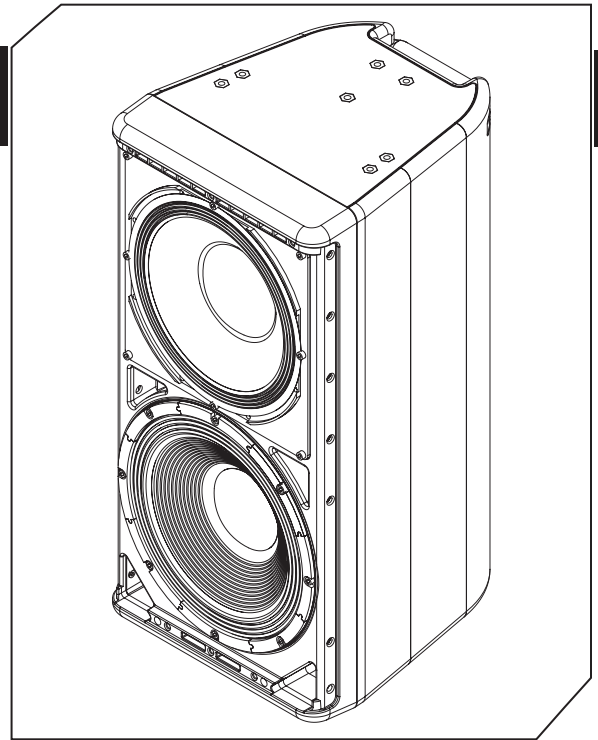
The 212CIM-W/Marine system offers a selection of 316-grade suspension hardware.

The 212CIM-W/Marine is optimized for outdoor ocean front and cruise ship applications and is ideal for use in ocean front football stadiums, baseball stadiums, race tracks and other venues where permanent installations are required. The system is particularly suited for compact, but high-level announcements and general full range reproduction.

The 212CIM-W/Marine's white enclosure is copolymer optimized for high UV exposure and long life in harsh environments.

The grill is a 3-layer "rain shield" design that will minimize direct precipitation contact with the systems transducers. The unique vent design also allows for easy moisture drainage from the interior of the enclosure. The enclosure and grill design are rated to IEC 529 IP45. (solid object penetration to 1 mm (0.04 inches) and water jets from any direction) The enclosure and components are also rated to Mil Spec 810.

The input section consists of a weather protected barrier strip. A weather cover is provided with an integral IP68 gland nut connector. In the outdoor configuration, connections are made through the 4-position barrier strip.



FEATURES & BENEFITS

- » 316-Grade Stainless Steel External Rigging and Grill
- » Very High SPL System
- » Direct weather 12" two-way system
- » Optimized for high-intelligibility and vocal articulation
- » Multiple M10 fly points.
- » Gland Nut Inputs
(Weather cover for gland nut installations)

SPECIFICATIONS

Frequency Response:	75 Hz – 16,000 Hz
Coverage Pattern:	60 degrees conical
Passive Crossover Frequency:	1,000 Hz
Inputs:	4-position barrier (Weather cover included)
System Sensitivity (1 watt / 1 meter):	99 dB
Power Handling:	1,200 watts cont., 2,400 watts prgm, 4,800 watts peak*
Nominal Impedance:	4 ohms
Low Frequency driver:	One Systems 12I/O and One Systems 12CX Coax
High Frequency driver:	Large-format compression driver



212CIM-W/Marine™

DIRECT WEATHER HIGH PERFORMANCE
MARINE AND OCEANFRONT
LOUDSPEAKER SYSTEM

ONE SYSTEMS®

The gland nut is weather proof and is rated NEMA 6P. (IP68) The connector will accommodate outside cable diameters from 7mm to 12mm. (0.236" to 0.472") The maximum diameter will accommodate most 2-conductor AWG 12 cable assemblies.

The basic configuration of the 212CIM-W/Marine is a 2 element vertical arrangement of ONE SYSTEMS 12" direct radiator full range loudspeakers. The top 12-inch device (ONE-12CX) has a state of the art "through the pole piece" coaxially oriented high frequency horn and driver combination. The high frequency radiation pattern is fixed and not rotatable, but optimized for medium to long throw applications.

The low frequency design is a ONE SYSTEMS 12-inch 12I/O woofer (Inside Only) that utilizes a unique voice coil wind on the inside of the voice coil support structure. This design allows for both high magnetic system displacement, as well as increased thermal transfer. This design results in reduced power compression and higher reliability.

SPECIFICATIONS (cont.)

EASE 4.0 data:	see onesystems.com
Suspension/Mounting points:	15 x M10
Weather Performance:	IEC 529 / IP 45 / Mil Spec 810
Dimensions (H x W x D) mm:	748x 368 x 398.3
Dimensions (H x W x D) in:	29.5" x 14.5" x 15.7"
Net Weight:	35.5 kg / 78 lb.
Optional Accessories:	112IM-U-WMarine "U" Bracket, PT-76-W/Marine Pan/Tilt Bracket, Pole Mount System - 3-W/Marine, M10/Marine Eye Bolt Kit (4 pc.)

* All power handling ratings are amplifier headroom dependent

ONE SYSTEMS®

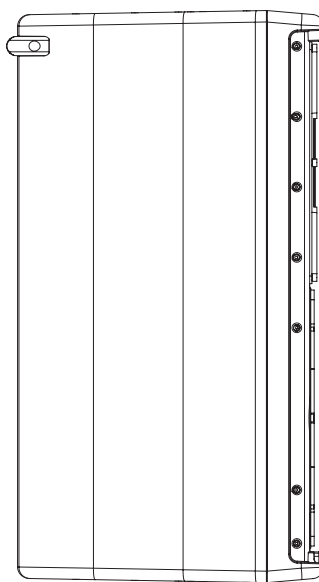
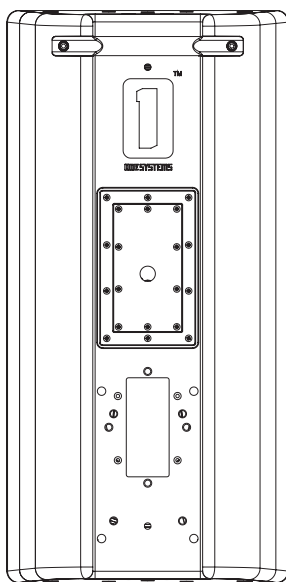
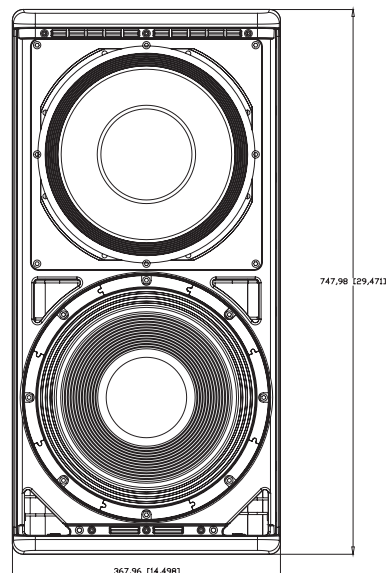
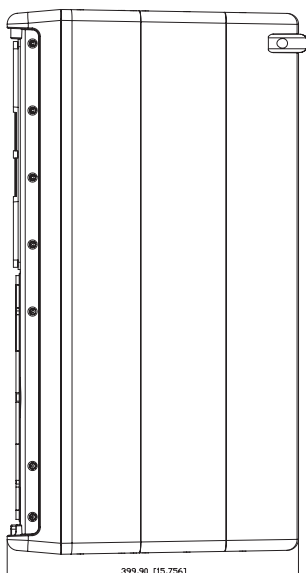
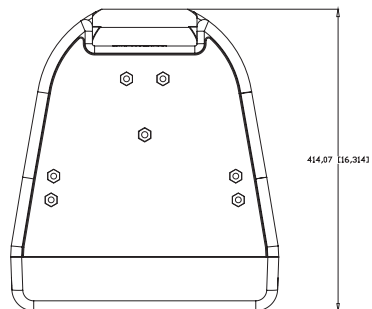
One Systems, Inc • 6204 Gardendale Dr. • Nashville, TN 37215
One Systems Global Co. Ltd. • 87/114 Modern Town 15th Floor • Sukhumvit 63 Ekkamai Soi 3
Klongtoey, Bangkok 10110 Thailand



212CIM-W/Marine™

DIRECT WEATHER HIGH PERFORMANCE
MARINE AND OCEANFRONT
LOUDSPEAKER SYSTEM

ONE SYSTEMS®



ONE SYSTEMS®

One Systems, Inc • 6204 Gardendale Dr. • Nashville, TN 37215
One Systems Global Co. Ltd. • 87/114 Modern Town 15th Floor • Sukhumvit 63 Ekkamai Soi 3
Klongtoey, Bangkok 10110 Thailand