

# 1

## 208CIM-W/Marine™

DIRECT WEATHER HIGH PERFORMANCE  
MARINE AND OCEANFRONT  
LOUDSPEAKER SYSTEM

### ONE SYSTEMS®

The 208CIM-W/Marine is a very compact two-element vertical array (LF and Mid Bass) high-output loudspeaker system. The 208CIM-W/Marine utilizes 316-grade stainless steel on all external rigging points. The grill assembly and all exterior mounting points are also 316-grade stainless steel. The 208CIM-W/Marine was designed to produce very high sound pressure level vocal range content and very high intelligibility for marine and ocean front environments. The 208CIM-W/Marine is a very compact, dual 8-inch system that uses a single coaxially mounted high frequency horn to reproduce higher frequency vocal information. The vocal fundamentals are reproduced by a 2-element direct radiator design that does not suffer from the traditional colorations found in horn systems.

The 208CIM-W/Marine may be used in direct weather outdoor installations such as cruise ships and ocean front stadiums, theme parks and dock front installations. Like all ONE SYSTEMS products, the 208CIM-W/Marine was designed to offer excellent full range fidelity, but also superior vocal reproduction and intelligibility. The unique design of this system allows both extended directional control through the vocal fundamental range and twice the acoustic output compared to conventional 8-inch two-way designs.

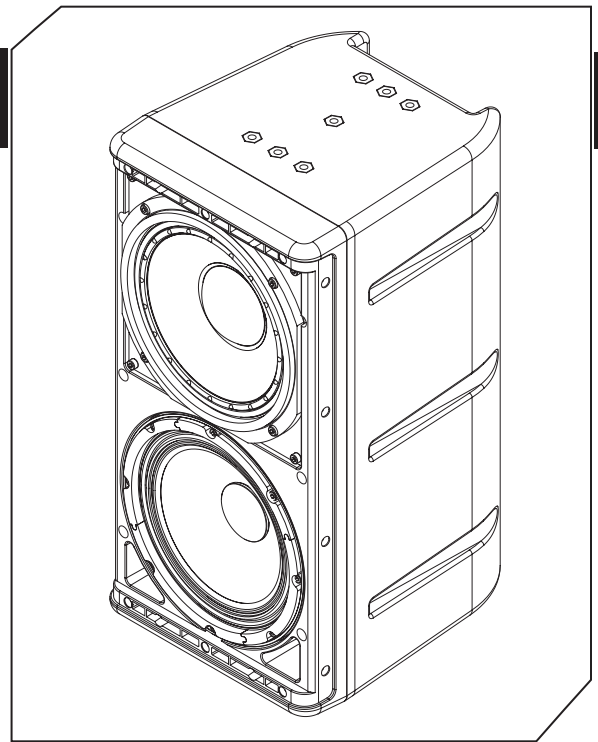
The 208CIM-W/Marine system offers a complete selection of 316 grade Marine suspension hardware.

The 208CIM-W/Marine's white enclosure is copolymer optimized for high UV exposure and long life in harsh environments.

The grill is a 3-layer "rain shield" design that will minimize direct precipitation contact with the system's transducers. The unique vent design also allows for easy moisture drainage from the interior of the enclosure. The enclosure and grill design are rated to IEC 529 IP45 (solid object penetration to 1 mm (0.04 inches) and water jets from any direction). The enclosure and components are also rated to Mil Spec 810.

The input section consists of a 4-pin barrier strip with a weather cover and integral gland nut connector. The gland nut is weather proof and is rated NEMA 6P (IP68). The connector will accommodate cables with outside diameters from 7mm to 12mm. (0.236" to 0.472") The maximum diameter will accommodate most 2-conductor AWG 12 cable assemblies.

The basic configuration of the 208CIM-W/Marine is a 2-element vertical arrangement of ONE SYSTEMS 8" direct radiator full-range loudspeakers.



#### FEATURES & BENEFITS

- » 316 Grade Stainless Steel on all External Rigging locations and Grill
- » Very High SPL Vocal System
- » Direct weather two element vertical array two way system.
- » Optimized for high-intelligibility and vocal articulation.
- » Multiple M8 hang points
- » Available 316 Grade Pan and Tilt and "U" brackets.
- » Gland Nut Inputs  
(Weather cover for Gland nut installations).

#### SPECIFICATIONS

<b>Frequency Response:</b>	65 - 16kHz
<b>Coverage Pattern:</b>	70° conical
<b>Passive Crossover Freq.:</b>	2,000 Hz
<b>Inputs:</b>	4-position barrier strip
<b>System Sensitivity (1watt / 1meter):</b>	96 dB
<b>Power Handling:</b>	400 watts continuous, 800 watts program, 1200 watts peak*
<b>Nominal Impedance:</b>	4 ohms
<b>Low Frequency:</b>	ONE-134 woofer
<b>High Frequency:</b>	8CX Coax with medium format compression driver
<b>EASE 4.0 Data</b>	onesystems.com



# 208CIM-W/Marine™

DIRECT WEATHER HIGH PERFORMANCE  
MARINE AND OCEANFRONT  
LOUDSPEAKER SYSTEM

## ONE SYSTEMS®

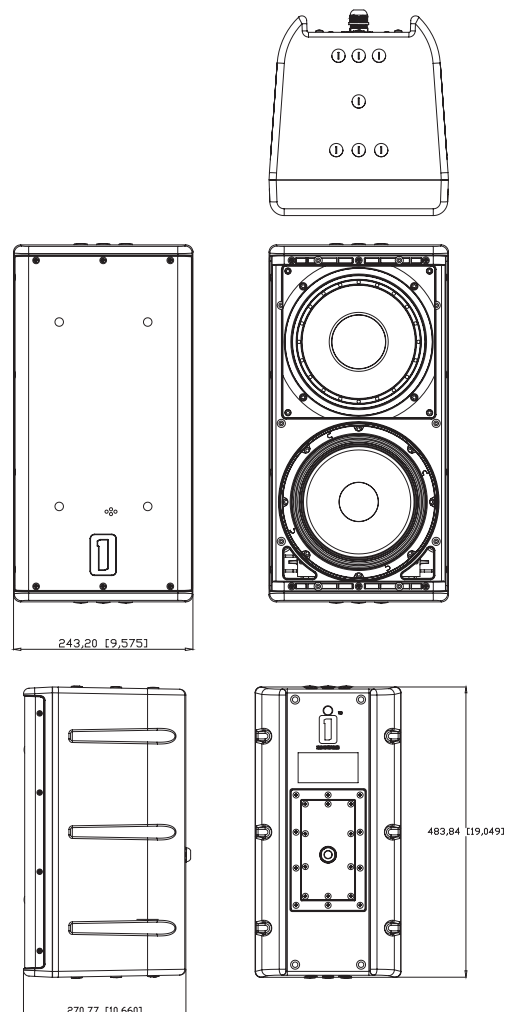
The top 8-inch (ONE-8CX) has a state of the art “through the pole piece” coaxially oriented high frequency horn and driver combination. The high-frequency radiation pattern is fixed and not rotatable, but optimized for medium throw applications.

Because the ONE SYSTEMS 208CIM-W/Marine is designed for permanent installation applications, a variety of rigging and suspension options are available. The 208CIM-W/Marine has multiple M8 mounting points. An M8 forged shoulder eye bolt kit is available for all M8 suspension points

The 208CIM-W/Marine may be suspended as a single unit using a ONE SYSTEMS “U” bracket in either a vertical or horizontal configuration. The “U” bracket is a ONE SYSTEMS 108IM-U-W/Marine and utilizes 316-grade stainless steel.

### SPECIFICATIONS (cont.)

<b>Suspension/Mounting points:</b>	M8
<b>Weather Performance:</b>	IEC 529 / IP 45 / Mil Spec 810
<b>Dimensions (H x W x D) mm:</b>	483.84 mm x 243.2mm x 270.77 mm
<b>Dimensions (H x W x D) in:</b>	19.05 in x 9.56 in x 10.66 in
<b>Net Weight:</b>	20 kg (44 lb)
<b>Optional Accessories:</b>	108IM-U-W/Marine “U” bracket kit, PT-38-W/Marine Pan and Tilt bracket, PT- 30-W/Marine pole mount system, M8/Marine Forged Eye Bolt Kit (4 pc.)



## ONE SYSTEMS®

One Systems, Inc • 6204 Gardendale Dr. • Nashville, TN 37215  
One Systems Global Co. Ltd. • 87/114 Modern Town 15th Floor • Sukhumvit 63 Ekkamai Soi 3  
Klongtoey, Bangkok 10110 Thailand