



115TW™

15" TWO-WAY HIGH OUTPUT SOUND REINFORCEMENT SYSTEM

ONE SYSTEMS®

The 115TW™ is a 15" two way high output sound reinforcement system. The 115TW may be used in outdoor installations as well as indoor applications where high intelligibility and accuracy are required. Like all ONE SYSTEMS® products, the 115TW was designed to not only offer excellent full range fidelity but superior vocal reproduction and intelligibility as well. The system consists of a single 15 inch 15I/O woofer and an ET driver on a fully rotatable high frequency horn.

The ONE SYSTEMS 115TW features an 18mm birch plywood enclosure that utilizes stainless steel internal structural supports to enable a variety of suspension points. The trapezoidal enclosure geometry allows close pack array configurations and the available suspension accessories make the 115TW a very versatile installation based loudspeaker system.

The grill is a 3 layer "rain shield" design that will minimize direct rain contact with the systems transducers. All internal and external metal hardware, as well as the grill, are stainless steel.

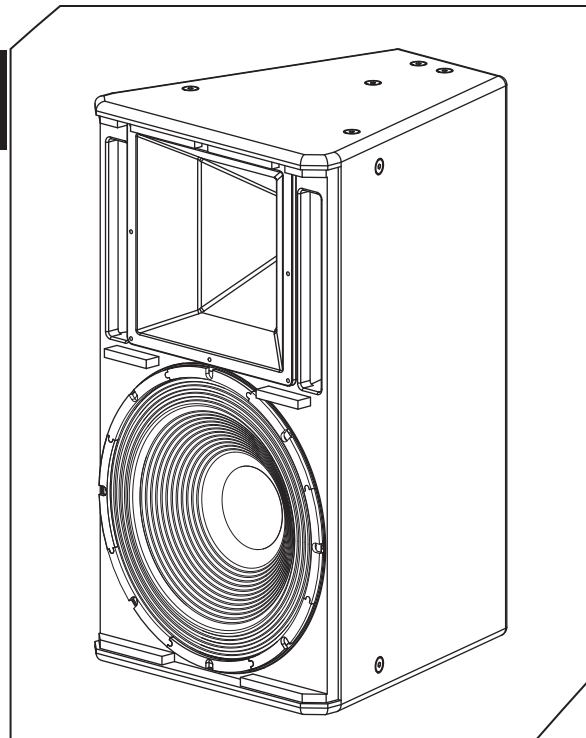
The input section consists of both 4 pin Neutrik® Speakon® as well as a stainless steel hardware barrier strip. A weather cover is provided with an integral Gland nut connector for outdoor applications. In the outdoor configuration connections are made thru the 4 position barrier strip. The input is user switchable for either full range or bi amp operation. The switch is located on the input plate and is isolated from direct weather by the weather cover.

The Gland nut is weather proof and is rated NEMA 6P (IP68). The connector will accommodate cable outside diameters from 7mm to 12mm (0.236" to 0.472"). The maximum diameter will accommodate most 2 conductor AWG 12 cable assemblies.

The basic design utilizes a patent pending high frequency driver that will accommodate a variety of high frequency radiation patterns. There are two fully rotatable high frequency horns available. Both horns are ET designs that offer extended bandwidth polar control and very low distortion. The ET-105/60 is a 105 degree horizontal by 60 degree vertical pattern and may be rotated to also provide a 60 degree horizontal by 105 degree vertical for short throw and downfill applications. The second horn, the ET-60/40 is designed for medium to long throw applications. It offers a 60 degree horizontal by 40 degree vertical radiation pattern and is also fully rotatable. Although the 115TW is shipped with the ET-60/40 horn installed the ET-105/60 is also included. A simple internal jumper optimizes the crossover for either high frequency horn. (For details related to changing high frequency horns see the "HOW TO" section in the ONE SYSTEMS web site, www.ONESYSTEMS.com)

The patent pending ET driver (full details are available at the ONE SYSTEMS web site, www.ONESYSTEMS.com) is a unique "equivalent throat" design that allows the radiation pattern to be controlled by the phase plug summation plane rather than the conventional "exit diameter" at the end of the driver structure. This feature provides extended high frequency dispersion. The ET driver has a large format titanium diaphragm and a close spaced circumferential ring phase plug to insure extended high frequency bandwidth.

The low frequency design is also patent pending. The 15 inch 15I/O woofer (Inside Only) utilizes a unique voice coil wind on the inside of the voice coil support structure. This design allows for both high magnetic system displacement as well as increased thermal transfer. This results in reduced power compression and higher reliability.



FEATURES AND BENEFITS

- Weather Resistant 15 inch two way system.
- Trapezoidal Enclosure Geometry
- Optimized for high intelligibility and vocal articulation.
- ET Fully rotatable and interchangeable high frequency horns.
- Patent Pending large format titanium/neodymium compression driver.
- Patent Pending large voice coil low frequency transducer.
- Multiple M10 flying points.
- Available Array and "U" brackets.
- Gland Nut and Speakon / Barrier Strip inputs (Weather cover for Gland nut installations).

SPECIFICATIONS

Frequency Response:	55Hz – 16kHz
Coverage Pattern:	105H x 60V (ET105/60) 60H x 40V (ET60/40)
Passive Crossover Frequency:	1300 Hz (ET105/60) 1800 Hz (ET60/40)
Externally Switchable Bi-amp / Full Range:	See website for crossover presets
Inputs:	4 position barrier or 2 each 4 pin Speakon
System Sensitivity: (1watt-1meter)	96dB
Power Handling:	800 watts Continuous 1600 watts Program 3200 watts Peak*
* All power handling ratings are amplifier headroom dependent	
Nominal Impedance:	8 ohms

Speakon® is a registered trademark of Neutrik®

ONE SYSTEMS®



115TW™

ONE SYSTEMS®

Because the ONE SYSTEMS 115TW is designed for permanent installation applications a variety of rigging and suspension options are available. The 115TW has 16 M10 mounting points.

An M10 forged shoulder eye bolt kit is available for all M10 suspension points

The 115TW may be suspended as a single unit using the ONE SYSTEMS "U" bracket in either a vertical or horizontal configuration. The "U" bracket is a ONE SYSTEMS 115TW-U

There are also two planar array systems available. A "simple" planar array that will allow multiple 115TW's or an array of 115TW's and a 118SW sub woofer. The simple array bracket will allow for 1 deep planar arrays. This array provide for 5 degree horizontal aiming steps. The simple array bracket is the FLY-115TW

There is also a "T" bracket that will allow planar arrays of two deep, where the second row consists of additional 115TW enclosures in a down fill orientation. The "T" bracket also provides for 5 degree horizontal aiming increments. The "T" bracket is the FLY-115TW-T

The 115TW may be mounted in selected installations (when permitted by local codes and appropriate substrates) using an Omni Mount series 120 bracket.

ONE SYSTEMS USA, Inc.
6204 Gardendale Dr. • Nashville, TN 37215
ONE SYSTEMS Group - European Division
Mittelsmoorer Strasse 12
28879 Grasberg Germany
ONE SYSTEMS Global Co., Ltd.
87/114 Modern Town 15th Floor
Sukhumvit 63 Ekkamai Soi 3
Klongtoey, Bangkok 10110 Thailand

SYSTEM SPECIFICS

Low Frequency:	ONE SYSTEMS 15 I/O
High Frequency:	ONE SYSTEMS ET Driver
System Tunings (Bi-amp mode):	www.ONESYSTEMS.com
EASE 4.0 data	www.ONESYSTEMS.com
Suspension/Mounting points:	20 each M10
Weather Performance:	IEC 529 IP 45 Mil Spec 810
Dimensions (H x W x D):	793.4mm x 444.5mm x 489mm (31.24 in x 17.5 in x 19.25 in)
Net Weight:	36.9 kg (81.3 lb)
Optional Accessories:	115TW-U "U" bracket kit FLY-115TW FLY-115TW-T PT-70 Pan & Tilt Bracket M10 Forged Shoulder Eye Bolt
Additional Supporting Systems:	118Sub-W subwoofer (Simple and "T" planar arrays)

