



# 112UM™

## 12" TWO-WAY HIGH OUTPUT SOUND REINFORCEMENT SYSTEM / UTILITY MONITOR

### ONE SYSTEMS®

The 112UM™ is a 12" two-way high output sound reinforcement system. The enclosure geometry allows the 112UM to be used as either a utility enclosure or a high output floor monitor. The 112UM may be used in outdoor installations as well as indoor applications where high intelligibility and accuracy are required. Like all ONE SYSTEMS® products, the 112UM was designed to not only offer excellent full range fidelity but superior vocal reproduction and intelligibility as well. The system consists of a single 12 inch 12I/O woofer and an ETS driver on a fully rotatable high frequency horn.

The ONE SYSTEMS 112UM features an 18mm birch plywood enclosure that utilizes stainless steel internal structural supports to enable a variety of suspension points when it is used in a "utility" mode. The 45 degree angle also makes the 112UM an ideal floor monitor for professional applications.

The grill is a 3 layer "rain shield" design that will minimize direct rain contact with the systems transducers. All internal and external metal hardware, as well as the grill, are stainless steel. The enclosure and grill design are rated to IEC 529 IP45 (solid object penetration to 1 mm (0.04 inches) and water jets from any direction). The enclosures and components are also rated to Mil Spec 810

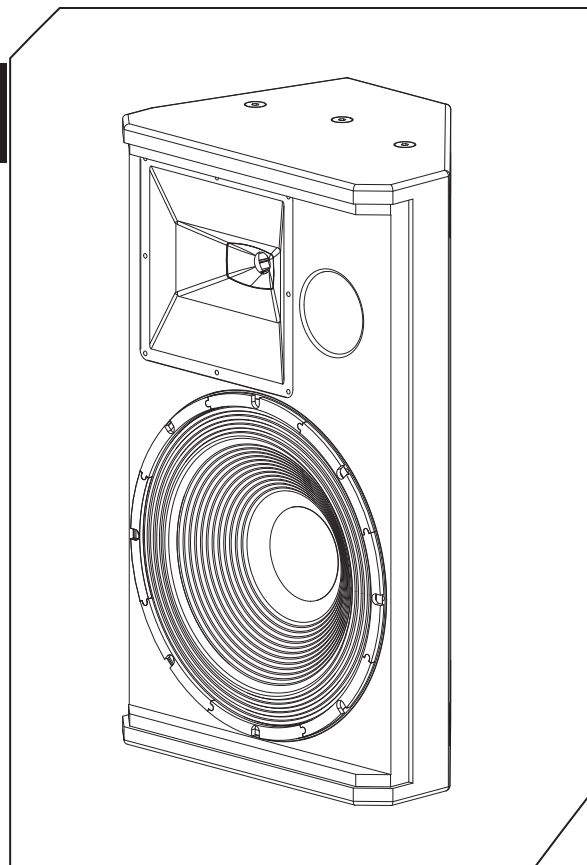
The input section consists of both 4 pin Neutrik® Speakons® as well as a stainless steel hardware barrier strip. A weather cover is provided with an integral gland nut connector for outdoor applications. In the outdoor configuration connections are made thru the 4 position barrier strip.

The Gland nut is weather proof and is rated NEMA 6P (IP68). The connector will accommodate cable outside diameters from 7mm to 12mm (0.236" to 0.472"). The maximum diameter will accommodate most 2 conductor AWG 12 cable assemblies.

The basic design utilizes a patent pending high frequency driver and horn combination. The fully rotatable high frequency horn has a pattern of 105 degrees by 60 degrees. The ETS design offers extended bandwidth polar control and very low distortion. The ETS-105/60 is a 105 degree horizontal by 60 degree vertical pattern and may be rotated to also provide a 60 degree horizontal by 105 degree vertical for short throw and downfill applications.

The patent pending ET-2 large format driver (full details are available at the ONE SYSTEMS web site, [www.ONE-SYSTEMS.com](http://www.ONE-SYSTEMS.com)) is a unique "equivalent throat" design that allows the radiation pattern to be controlled by the phase plug summation plane rather than the conventional "exit diameter" at the end of the driver structure. This feature provides extended high frequency dispersion. The ET-2 large format driver has a titanium diaphragm and a close spaced circumferential ring phase plug to insure extended high frequency bandwidth.

The low frequency design is also patent pending. The 12 inch 12I/O woofer (Inside Only) utilizes a unique voice coil wind on the inside of the voice coil support structure. This design allows for both high magnetic system displacement as well as increased thermal transfer. This results in reduced power compression and higher reliability.



### FEATURES AND BENEFITS

- Weather Resistant 12" two-way system.
- Multi angle Enclosure Geometry
- Designed as either a Utility Enclosure or Floor Monitor
- Optimized for high intelligibility and vocal articulation.
- ETS Fully rotatable high frequency horn.
- Patent Pending large voice coil low frequency transducer.
- Multiple M10 flying points.
- Available "U" brackets.
- Gland Nut and Speakon inputs  
(Weather cover for Gland nut installations).

### SPECIFICATIONS

Frequency Response:	75Hz – 16kHz
Coverage Pattern:	105H x 60V (ET105/60)
Passive Crossover Frequency:	1800 Hz (ETS105/60)
Externally Switchable Bi-amp / Full Range:	See website for crossover presets
Inputs:	4 position barrier or 2 each 4 pin Speakon
System Sensitivity: (1watt-1meter)	96dB
Power Handling:	800 watts Continuous 1600 watts Program 3200 watts Peak*
* All power handling ratings are amplifier headroom dependent	
Nominal Impedance:	8 ohms

Speakon® is a registered trademark of Neutrik®

### ONE SYSTEMS®

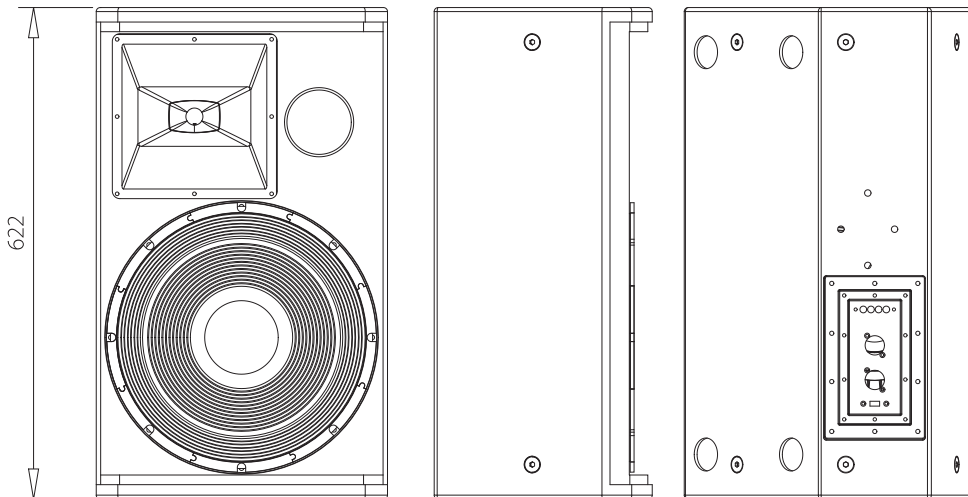
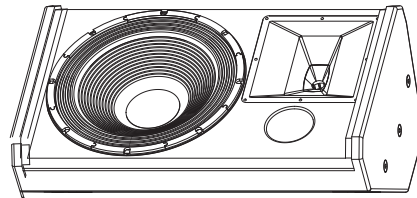
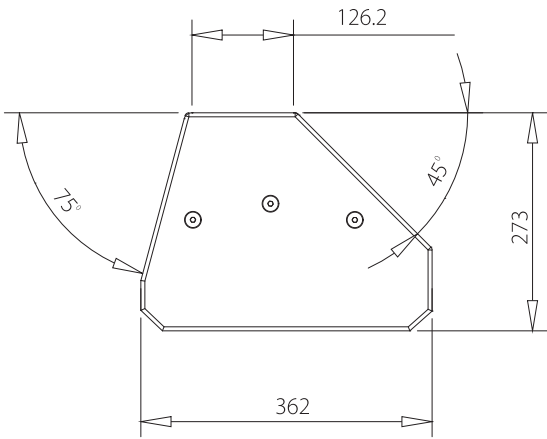


# 112UM™

## ONE SYSTEMS®

Because the ONE SYSTEMS 112UM is designed for both floor monitor and permanent installation applications a variety of rigging and suspension options are available. The 112UM has 16 M10 mounting points. An M10 forged shoulder eye bolt kit is available for all M10 suspension points.

The 112UM may be suspended as a single unit using the ONE SYSTEMS "U" bracket in either a vertical or horizontal configuration. The "U" bracket is a ONE SYSTEMS 112UM-U.



### SYSTEM SPECIFICS

Low Frequency:	ONE SYSTEMS 12 I/O
High Frequency:	ONE SYSTEMS ET Driver
System Tunings (Bi-amp mode):	<a href="http://www.ONESYSTEMS.com">www.ONESYSTEMS.com</a>
EASE 4.0 data	<a href="http://www.ONESYSTEMS.com">www.ONESYSTEMS.com</a>
Suspension/Mounting points:	16 each M10
Weather Performance:	IEC 529 IP 45 Mil Spec 810
Dimensions (H x W x D):	622mm x 362mm x 273mm (24.48 in x 14.25 in x 10.75 in)
Net Weight:	23.3 kg (51.4 lb)
Optional Accessories:	M10 Forged Shoulder Eye Bolt 112UM-U Bracket PT-70 Pan & Tilt Bracket

**ONE SYSTEMS USA, Inc.**  
6204 Gardendale Dr. • Nashville, TN 37215

**ONE SYSTEMS Group - European Division**  
Mittelsmoorer Strasse 12  
28879 Grasberg Germany

**ONE SYSTEMS Global Co., Ltd.**  
87/114 Modern Town 15th Floor  
Sukhumvit 63 Ekkamai Soi 3  
Klongtoey, Bangkok 10110 Thailand