

1

108IM-W/Marine™

DIRECT WEATHER HIGH PERFORMANCE
MARINE AND OCEANFRONT
LOUDSPEAKER SYSTEM

ONE SYSTEMS®

The 108IM-W/Marine is a light-weight, white copolymer all-weather loudspeaker system. The 108IM-W/Marine may be used in direct weather ocean front and cruise ship outdoor installations. The external rigging is all 316 grade stainless steel, as are the grill and all associated metal hardware. Like all ONE SYSTEMS products, the 108IM-W/Marine was designed to offer excellent full-range fidelity, but also superior vocal reproduction and intelligibility. The system consists of a single 8" woofer and an ETS driver coupled to a fully rotatable high frequency horn.

The 108IM-W/Marine system offers a complete selection of 316 grade stainless steel array and flying/suspension hardware.

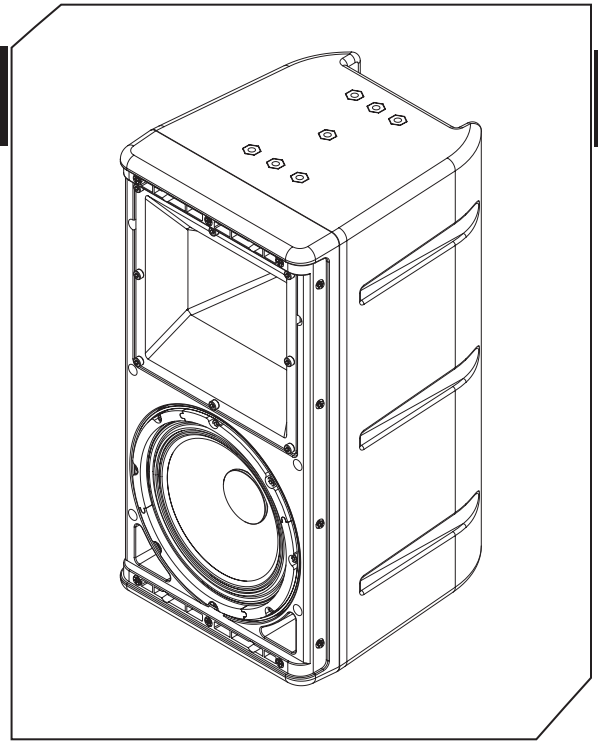
The 108IM-W/Marine is optimized for ocean front, marine, cruise ship and other outdoor applications such as football stadiums, baseball stadiums and race tracks where permanent installation is required in marine environments. The high acoustic output to size ratio makes the system ideal for short throw (with provided ET105/60 horn) or defined coverage medium Q (factory installed with ET60/40 horn) applications. The system is also well suited for outdoor general public address applications.

The 108IM-W/Marine enclosure is white and is made of high quality injection molded copolymer that is optimized for high UV exposure and long life in harsh environments.

The grill is a 3 layer "rain shield" design that will minimize direct rain contact with the system's transducers. The unique vent design also allows for easy moisture drainage from the interior of the enclosure. The enclosure and grill design are rated to IEC 529 IP45 (solid object penetration to 1 mm (0.04 inches) and water jets from any direction). The enclosures and components are also rated to Mil Spec 810.

The input section consists of a barrier strip. A weather cover is provided with an integral gland nut connector for outdoor applications.

The gland nut is weather proof and is rated NEMA 6P (IP68). The connector will accommodate cable outside diameters from 7mm to 12mm (0.236" to 0.472"). The maximum diameter will accommodate most 2 conductor AWG 12 cable assemblies.



FEATURES & BENEFITS

- » 316 Grade Stainless Steel External Rigging and Grill Construction
- » Direct weather 8" two way system with white copolymer injection molded enclosure
- » Optimized for high intelligibility and vocal articulation.
- » ETS Fully rotatable and interchangeable high frequency horns.
- » Multiple M8 flying points.
- » Available 316 Grade Pan and Tilt, Pole Mount and "U" brackets.
- » Gland Nut/ Barrier Strip Inputs (Weather cover for Gland nut installations).

SPECIFICATIONS

Frequency Response:	65 – 16kHz
Coverage Pattern:	105 H x 60V (ETS105/60) 60H x 40V (ETS60/40)
Passive Crossover Freq.:	2,000 Hz (ETS-60x40) 1,600 Hz (ETS-105x60)
Inputs:	4-position barrier strip
System Sensitivity (1watt / 1meter):	92 dB
Power Handling:	200 watts continuous, 400 watts program, 800 watts peak*
Nominal Impedance:	8 ohms



108IM-W/Marine™

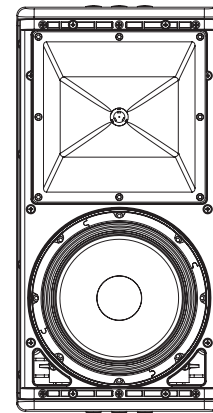
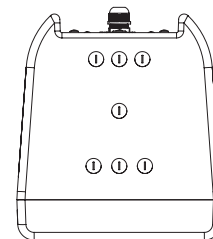
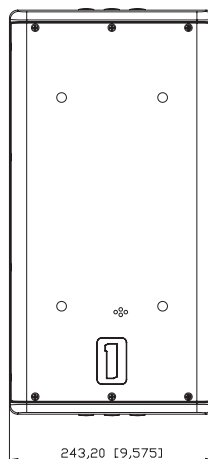
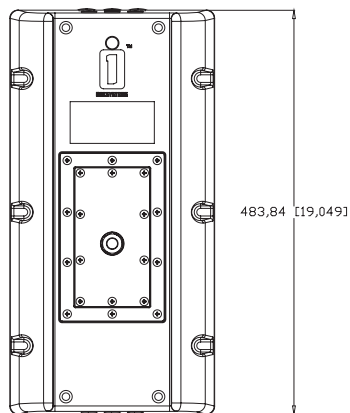
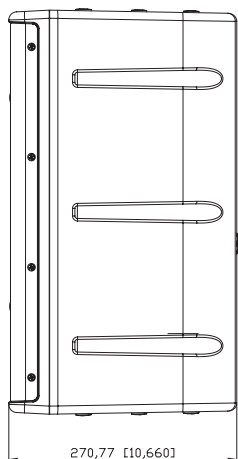
DIRECT WEATHER HIGH PERFORMANCE
MARINE AND OCEANFRONT
LOUDSPEAKER SYSTEM

ONE SYSTEMS®

The basic design utilizes a high frequency driver the will accommodate a variety of high frequency radiation patterns. There are two fully rotatable high frequency horns available. Both horns are ETS designs that offer extended bandwidth polar control and very low distortion. The ETS-105/60 is a 105 degree horizontal by 60 degree vertical pattern and may be rotated to also provide a 60 degree horizontal by 105 degree vertical for downfill applications. The second horn is the ETS-60/40. It offers a 60 degree horizontal by 40 degree vertical radiation pattern and is also fully rotatable. Although the 108IM is shipped with the ETS-60/40 horn installed the ETS-105/60 is also included. A simple internal jumper optimizes the crossover for either high frequency horn. (For details related to changing high frequency horns see the "HOW TO" section in the ONE SYSTEMS web site, www.ONESYSTEMS.com)

SPECIFICATIONS

Low Frequency:	ONE-134 Woofer
High Frequency:	ETS Driver with ET60/40 Horn and included ET105/60 Horn
Suspension/Mounting points:	M8
Weather Performance:	IEC 529 / IP 45 / Mil Spec 810
Dimensions (H x W x D) mm:	483.84 mm x 243.2mm x 270.77 mm
Dimensions (H x W x D) in:	19.05 in x 9.56 in x 10.66 in
Net Weight:	15 kg (33 lb) 8-ohm
Optional Accessories:	108IM-U-W/Marine "U" bracket, PT-38-/Marine Pan and Tilt, PT-30-W/Marine Pole Mount, M8/Marine Eye bolt kit (4 pc.)



ONE SYSTEMS®

One Systems, Inc • 6204 Gardendale Dr. • Nashville, TN 37215
One Systems Global Co. Ltd. • 87/114 Modern Town 15th Floor • Sukhumvit 63 Ekkamai Soi 3
Klongtoey, Bangkok 10110 Thailand