

1

# 108CIM™

LIGHTWEIGHT COPOLYMER-BASED  
ALL-WEATHER LOUDSPEAKER SYSTEM

## ONE SYSTEMS®

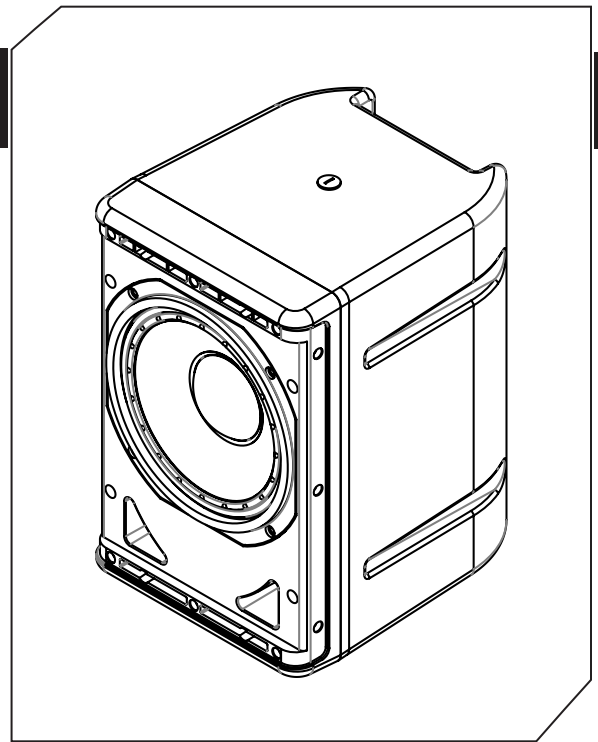
The 108CIM is a light weight copolymer based all-weather loudspeaker system. The 108CIM may be used in direct weather outdoor installations, as well as indoor applications where high vocal intelligibility and accuracy are required. The 108CIM has a coaxial design featuring a medium-format, high-frequency compression driver. The titanium based compression driver produces a nominal 70 degree conical radiation pattern. The 108CIM is available in both black and white color options. The 108CIM may NOT be used in indoor swimming pool environments.

The 108CIM enclosure is made of high grade copolymer that is optimized for high UV exposure and long life in harsh environments. All internal and external rigging and suspension hardware, as well as the metal grille are stainless steel or high strength aluminum. All suspension points are also made using 304-grade stainless steel.

The input section consists of a 5 pin barrier strip. A weather cover is provided with an integral gland nut connector for outdoor applications.

The gland nut is weather proof and is rated NEMA 6P (IP68). The connector will accommodate cable outside diameters from 7mm to 12mm (0.236" to 0.472"). The maximum diameter will accommodate most 2 conductor AWG 12 cable assemblies.

The enclosure is also available with a 150 watt 3-tap line matching transformer. The tap values are 150 watts, 75 watts, and 37 watts. The 108IM transformer version may be easily configured for either a 100V or 70.7V primary.



### FEATURES & BENEFITS

- » Direct weather 8" coaxial two-way system
- » Optimized for high-intelligibility and vocal articulation
- » Very high output to size ratio
- » Available in both Black and white color
- » Multiple M8 flying points
- » Available Pan and Tilt, U-bracket, and eyebolt rigging
- » Gland nut inputs (Weather cover for Gland nut installations)
- » Optional version (108CIM-70/100) with 150 watt 3-tap 100V or 70V line matching transformer

### SPECIFICATIONS

<b>Frequency Response:</b>	70Hz - 16kHz
<b>Coverage Pattern:</b>	70 x 70 Conical
<b>Passive Crossover Freq.:</b>	1600Hz
<b>Inputs:</b>	5-position barrier
<b>System Sensitivity (1watt / 1meter):</b>	92 dB
<b>Power Handling:</b>	200 watts continuous, 400 watts program, 800 watts peak*
<b>Nominal Impedance:</b>	8 ohms
<b>Low Frequency:</b>	One Systems Coaxial
<b>High Frequency:</b>	

<b>EASE 4.0 data</b>	www.ONESYSTEMS.com
<b>Suspension/Mounting points:</b>	M8
<b>Dimensions (H x W x D) mm:</b>	350.0mm x 233.2mm x 271.44mm
<b>Dimensions (H x W x D) in:</b>	13.78in x 9.18in x 10.69in
<b>Net Weight:</b>	108CIM Low Z: 10.6kg, 23.3 lb. 108CIM High Z: 13.6kg, 29.9 lb.
<b>Shipping Weight:</b>	13kg (23.3lb)
<b>Optional Accessories:</b>	108IM-U U-bracket kit PT-38a Pan and Tilt PT-30 Pole Mount Bracket M8 Forged Shoulder Eye Bolt



# 108CIM™

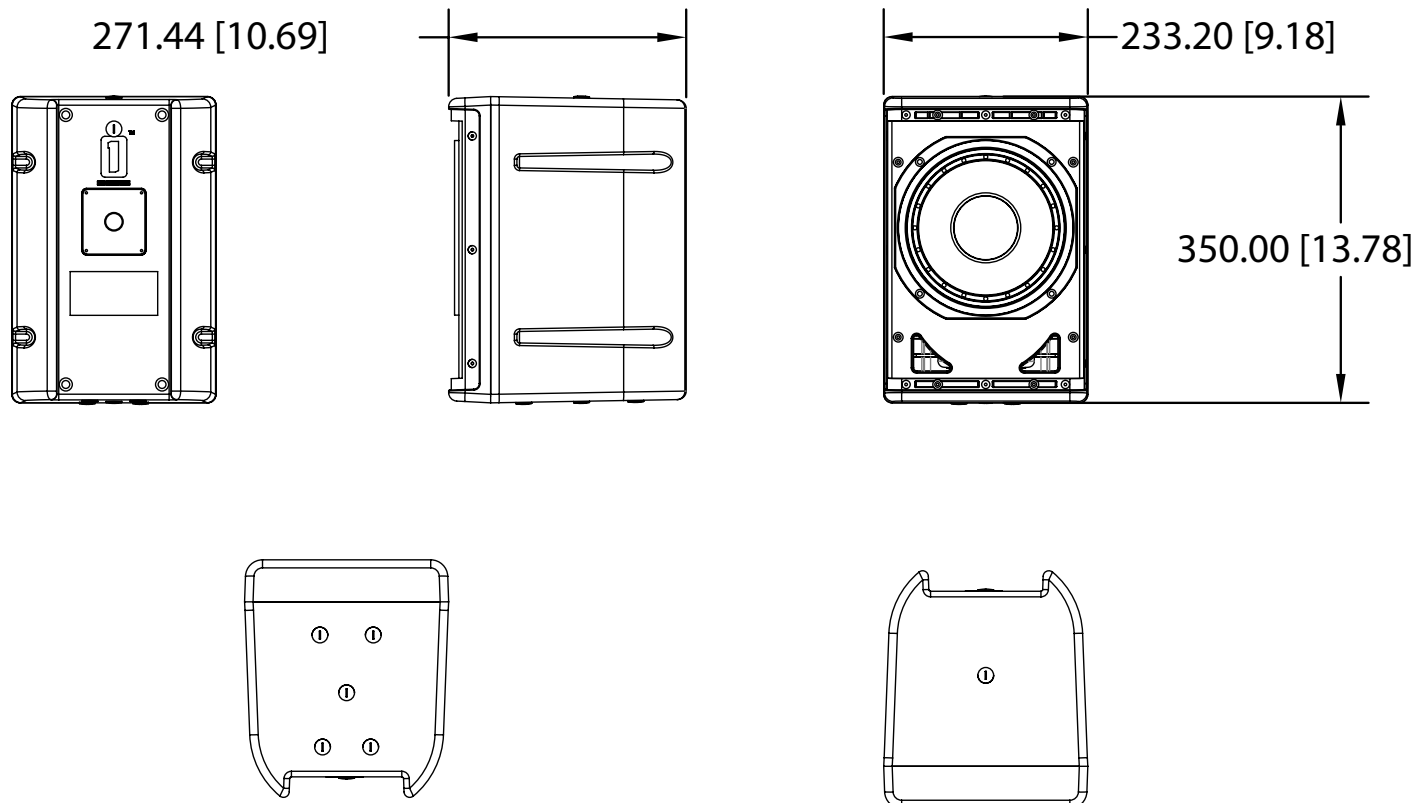
LIGHTWEIGHT COPOLYMER-BASED  
ALL-WEATHER LOUDSPEAKER SYSTEM

**ONE SYSTEMS®**

The 108CIM is optimized for outdoor short throw applications such as theme parks, parade routes, baseball stadiums, and other entertainment/sports venues where permanent installation is required, as well as protection from direct weather exposure. The high acoustic output to size ratio makes the system ideal for short throw (70 x70 degree conical) applications. The system is also well suited for outdoor general public address applications.

The 108CIM grille has a 3-layer "rain shield" design that will minimize direct rain contact with the system's transducers. The unique vent design also allows for easy moisture drainage from the interior of the enclosure. The enclosure and grill design are rated to IEC 529 IP45 (solid object penetration to 1 mm (0.04 inches) and water jets from any direction). The enclosures and components are also rated to Mil Spec 810.

The 108CIM may be mounted in selected installations (when permitted by local codes and appropriate substrates) using either a ONE SYSTEMS pan and tilt bracket (PT-38a or PT-30 pole mount bracket) or the 108CIM-U "U" bracket. A M8 forged shoulder eye bolt kit is available for all M8 suspension points.



**ONE SYSTEMS®**

One Systems, Inc • 6204 Gardendale Dr. • Nashville, TN 37215  
One Systems Global Co. Ltd. • 87/114 Modern Town 15th Floor • Sukhumvit 63 Ekkamai Soi 3  
Klongtoey, Bangkok 10110 Thailand