

1

# 106IM-W/Marine™

DIRECT WEATHER HIGH PERFORMANCE  
MARINE AND OCEANFRONT  
LOUDSPEAKER SYSTEM

## ONE SYSTEMS®

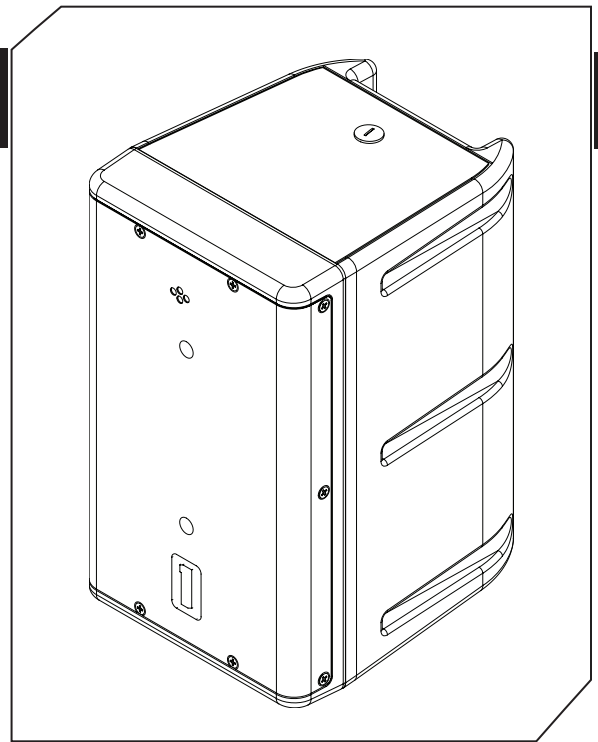
The One Systems 106IM-W/Marine was designed to provide high acoustic output and IP 56-rated direct-weather performance for a variety of acoustic spaces. The 106IM Marine was designed for use in ocean front and cruise ship environments. The 106IM utilizes 316 grade stainless steel external rigging and grills to achieve exceptional corrosion resistance in marine and ocean front environments. The 106IM Marine is a very high-performance background / foreground speaker system designed for use in all weather conditions.

The 106IM-W/Marine design is very unique for a system of this size in that it utilizes a true compression driver coupled to a constant-directivity horn. The driver/horn coverage pattern is 100 degrees horizontal by 70 degrees vertical. The high efficiency compression driver and its advanced cross-over design provide very high power handling and excellent system reliability without the need for performance-degrading passive protection devices typically found in loudspeaker systems in this class. The 6-inch (152 mm) high-performance woofer is equipped with an extra-large 1.75-inch (44.33 mm) voice coil that delivers extended bandwidth response and superior low-frequency power handling. The 106IM-W/Marine's combination of the high-efficiency horn-loaded compression driver and very large-format voice coil design in the woofer yields superior system intelligibility, vocal range integrity and added musical definition.

The 106IM-W/Marine's enclosure is injection-molded in white and utilizes a copolymer material that is designed for use in extreme harsh weather environments. The speaker cabinet offers a high degree of UV protection for use in direct sunlight. The 106IM-W/Marine also has 7 mounting points (including 3 x M6 points on the top and bottom) for use with the supplied 106IM-U-W/Marine U-Bracket.

All 106IM-W/Marine mounting points are made of 316 grade stainless steel. The grille's assembly is a 3-layer design that is optimized for both acoustic transparency, as well as protection from windblown particles and water. The input section features a weather cover with an integral gland nut that is rated to an IP 68 standard. The system's input connectors are a four-position barrier strip.

The 106IM's power handling is 100 watts continuous, 200 watts program and 400 watts peak.



### FEATURES & BENEFITS

- » 316 Grade Stainless Steel Design for Ocean Front and Marine Environments
- » Direct-weather capable, compact 6-inch two-way system
- » 6-inch woofer with large-sized 1.75-inch voice coil
- » Available white, 8-ohm version
- » 316 Stainless Steel U-Bracket included
- » No performance-degrading passive protection devices included
- » 316 Grade Stainless steel grille, suspension and rigging hardware
- » 100 watts continuous, 400 watts peak power handling

### SPECIFICATIONS

<b>Frequency Response:</b>	80 – 16,000 Hz
<b>Coverage Pattern:</b>	100° H x 70° V
<b>Crossover Frequency:</b>	2,000 Hz
<b>System Sensitivity (1watt / 1meter):</b>	89 dB
<b>Power Handling:</b>	100 watts continuous, 200 watts program, 400 watts peak*
<b>Optional Transformer Taps:</b>	12.5 watts, 25 watts, 50 watts
<b>Nominal Impedance:</b>	8 ohms
<b>Weather Performance:</b>	IP56

# 1

# 106IM-W/Marine™

DIRECT WEATHER HIGH PERFORMANCE  
MARINE AND OCEANFRONT  
LOUDSPEAKER SYSTEM

ONESYSTEMS®

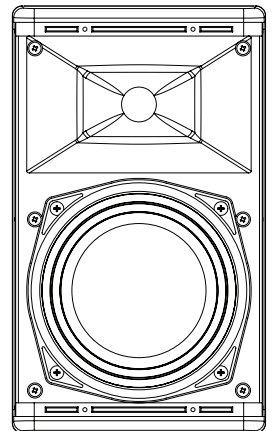
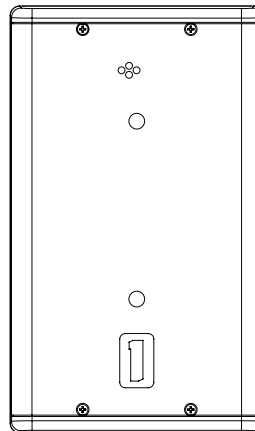
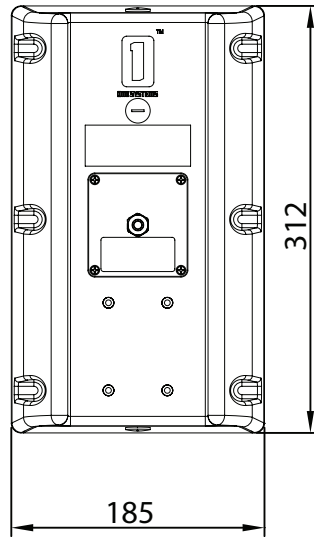
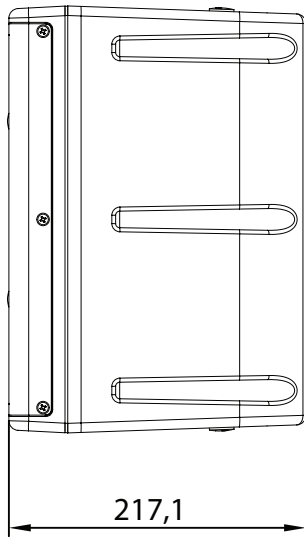
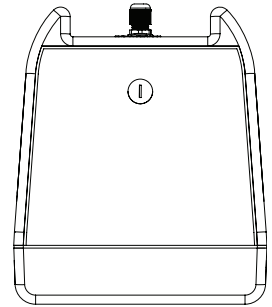
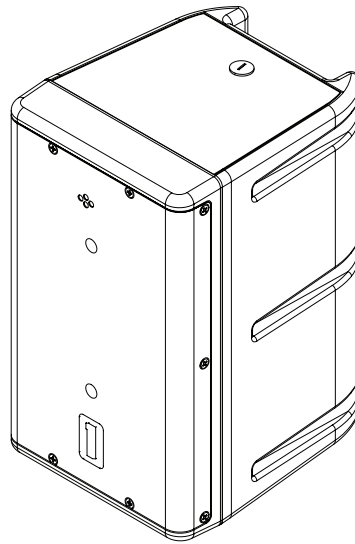
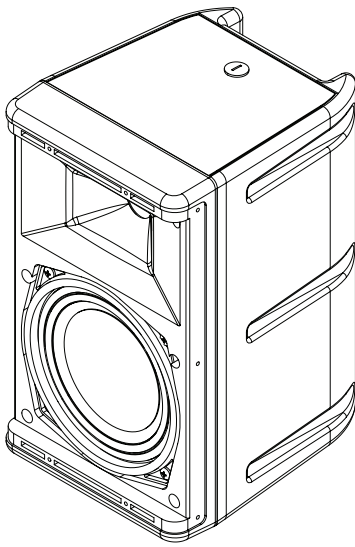
### SPECIFICATIONS (continued)

**Dimensions (H x W x D) mm:** 312 x 185 x 217.1

**Dimensions (H x W x D) in:** 12.3 x 7.3 x 8.5

**Net Weight (kg lb):** 6.0 kg / 13.2 lb.

**Shipping Weight:** 8.6 kg / 18.92 lb.



ONESYSTEMS®

One Systems, Inc • 6204 Gardendale Dr. • Nashville, TN 37215

One Systems Global Co. Ltd. • 87/114 Modern Town 15th Floor • Sukhumvit 63 Ekkamai Soi 3  
Klongtoey, Bangkok 10110 Thailand