

1

# 103IM-W/Marine™

DIRECT WEATHER HIGH PERFORMANCE  
MARINE AND OCEAN FRONT  
LOUDSPEAKER SYSTEM

## ONE SYSTEMS®

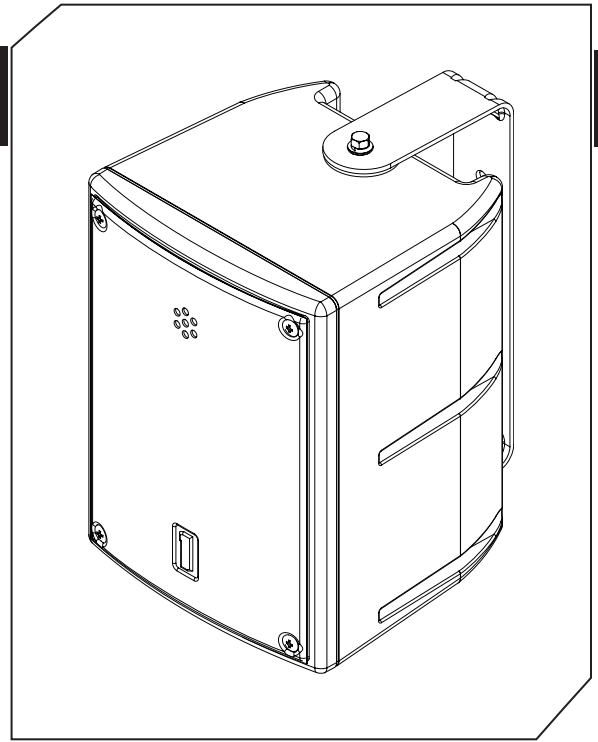
The One Systems 103IM-W/Marine was designed to provide excellent audio performance, impressive acoustic output for its size and IP 56-rated direct-weather performance for a variety of acoustic spaces. The 103IM-W/Marine utilizes 316-grade stainless steel that makes it ideal for use in oceanfront and cruise ship environments.

The 103IM-W/Marine's design includes a high-frequency driver coupled to an elliptical constant-directivity horn. The HF coverage pattern is 110 degrees horizontal by 80 degrees vertical. The high-efficiency HF driver and advanced crossover design delivers high power handling and excellent system reliability without the need for performance degrading passive protection devices that are typically used in loudspeaker systems in this class.

The 3.5-inch (90 mm) high-performance woofer also presents a unique design feature that provides both extended bandwidth response and superior low-frequency power handling. The 3.5-inch woofer features a very large-diameter 1.25-inch (31.8 mm) voice coil design that provides excellent system reliability and superb performance. The combination of the high-efficiency horn-loaded tweeter and very large-format voice coil design of the woofer yields superior system intelligibility, good vocal range integrity and superb music reproduction.

The 103IM-W/Marine's white enclosure is injection-molded utilizing a co-polymer material developed for use in extreme harsh weather environments that offers a high degree of UV protection for use in direct sunlight. The enclosure has 2 x M5 suspension points on the top and bottom of the enclosure for use with the U-Bracket supplied with the speaker. This U-Bracket and the 103IM-W/Marine's mounting points are made of 316-grade stainless steel. The grille's assembly is a 3-layer design that is optimized for both acoustic transparency and protection from windblown particles and water.

The 103IM-W/Marine's input section features a weather cover with an integral gland nut that is rated to an IP 68 standard. The system's input connector is a four-position barrier strip with stainless steel hardware.



### FEATURES & BENEFITS

- » 316 Grade Stainless Steel Design for use in Marine and Oceanfront Applications
- » White injection-molded enclosure is made of high-quality UV resistant copolymer material
- » IP 56 Direct-weather capable, compact 3.5-inch two-way system
- » 3.5-inch woofer with large-sized 1.25-inch voice coil
- » High-performance tweeter with 110° x 80° waveguide
- » 316 Grade Stainless Steel U-Bracket included
- » 316 Grade Stainless steel grille and rigging
- » No performance-degrading passive protection devices used
- » 50 watts continuous, 200 watts peak power

### SPECIFICATIONS

<b>Frequency Response:</b>	85 - 20,000 Hz
<b>Coverage Pattern:</b>	110° H x 80° V
<b>Crossover Frequency:</b>	3,000 Hz
<b>System Sensitivity (1watt / 1meter):</b>	87 dB
<b>Power Handling:</b>	50 watts continuous, 100 watts program, 200 watts peak*



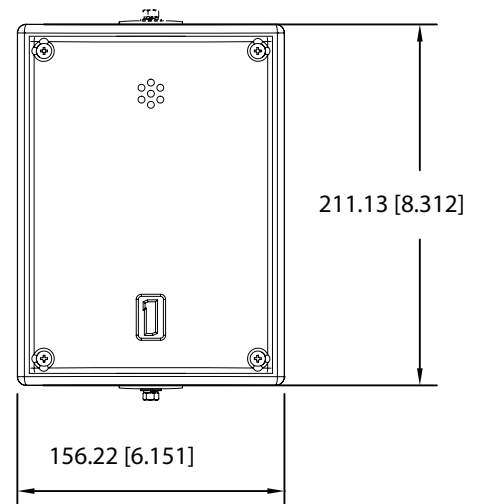
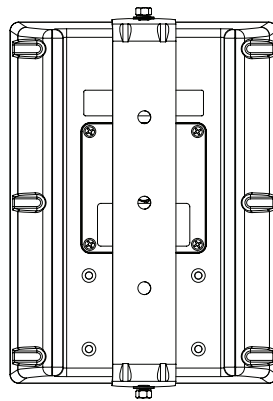
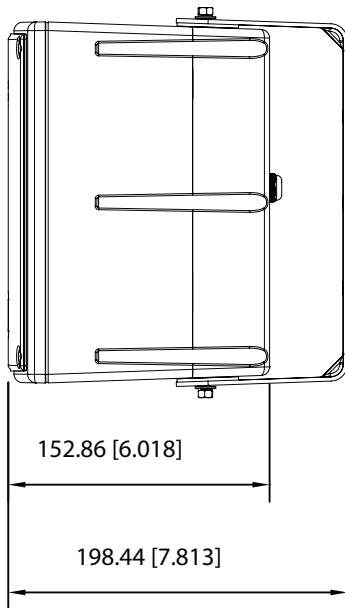
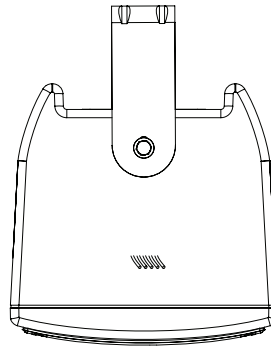
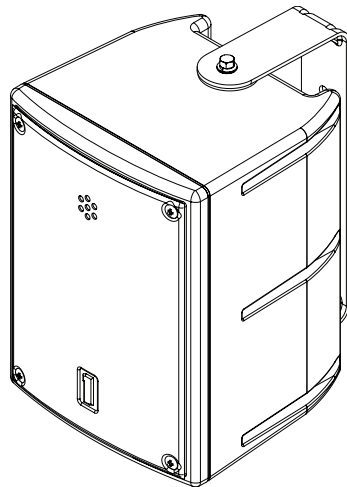
# 103IM-W/Marine™

DIRECT WEATHER HIGH PERFORMANCE  
MARINE AND OCEAN FRONT  
LOUDSPEAKER SYSTEM

ONE SYSTEMS®

## SPECIFICATIONS (continued)

<b>Nominal Impedance:</b>	8 ohms
<b>Weather Performance:</b>	IP56
<b>Dimensions (H x W x D) mm:</b>	211.2 x 156.2 x 130.5
<b>Dimensions (H x W x D) in:</b>	8.3 x 6.15 x 5.1
<b>Net Weight (kg lb):</b>	3.0 kg / 6.6 lb.
<b>Shipping Weight:</b>	3.4 kg / 7.48 lb.



ONE SYSTEMS®

One Systems Inc • 6204 Gardendale Dr. • Nashville, TN 37215

One Systems Global Co. Ltd. • 87/114 Modern Town 15th Floor • Sukhumvit 63 Ekkamai Soi 3  
Klongtoey, Bangkok 10110 Thailand